

# Boat Hoist USA Galvanized 6 K and 8K 4 - Post Lifts

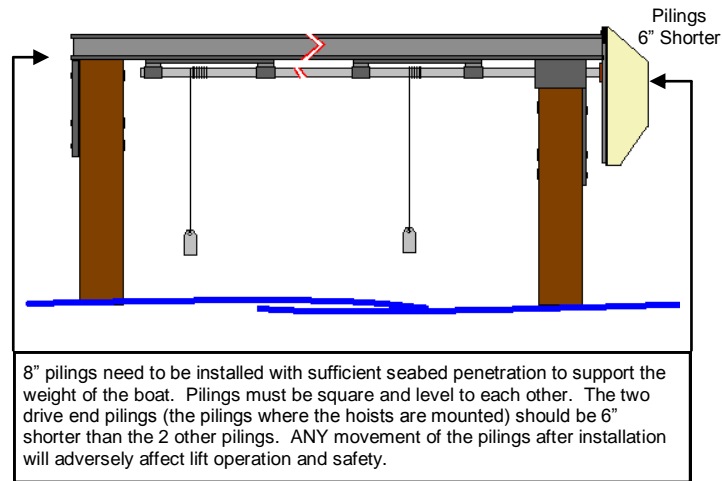
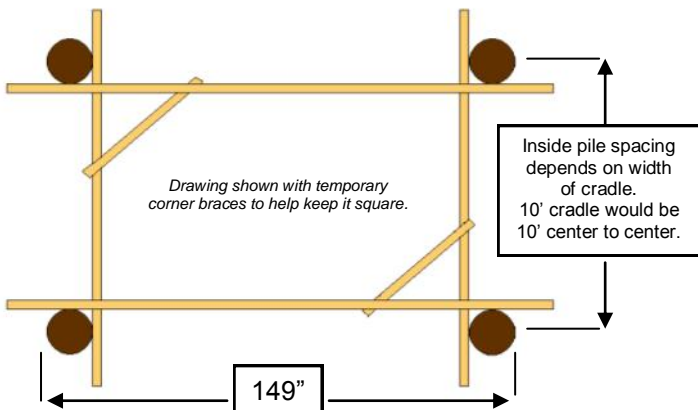
## 6000 & 8000 lb Lifts

Includes all components except the galvanized bolts, nuts and washers to attach the lift to the already existing pilings. And the boards for the bunks.

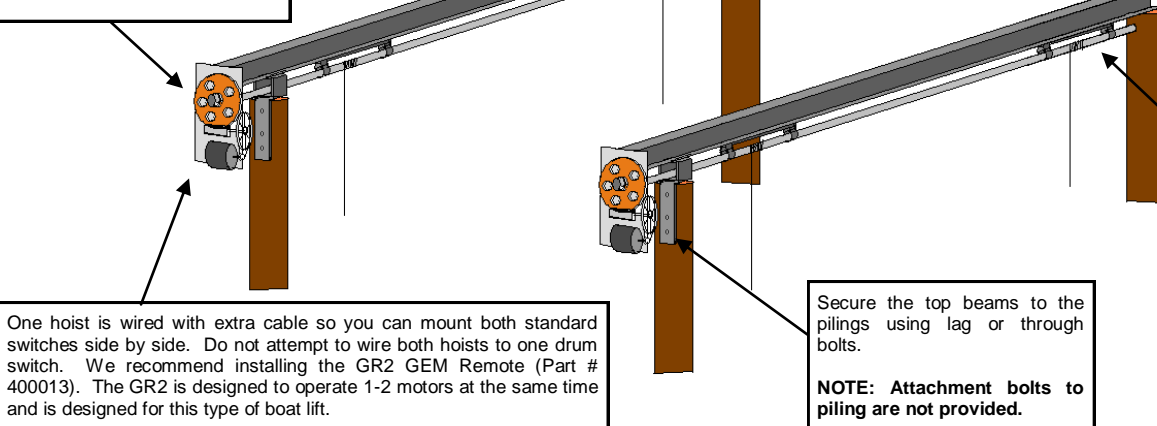
### Electrical Requirements:

6K = Two 3/4hp motors at 22 amps minimum, # 10 wire\*

8K = Two 1hp motors at 26 amps minimum, # 8 wire\*



The Boat Hoist USA hoists are secured to the top beam with 1/2" x 1 1/2" bolts (included). Mount the back cover between the gear plate and top-beam first, then align the hole in the drive pipe with the hole in the large gear sleeve. Insert the gear sleeve bolt and "snap" the front cover to the back cover.



All 4 cable pieces must be equal in length. When attaching the cable to the pipe, insert the unfinished end of the cable into the hole of the drive pipe. Feed it through the pipe shaft and out the end of the pipe. Attach the 1/4" cable clamp to the cable and pull the cable back through. Make sure the clamp is tight inside the drive pipe.

Be sure to install the cable to wrap around the drive pipe an initial three wraps to support the load. Do not let the 1/4" cable clamp support the load.

\* Wire size depends on length of wire from main power to lift. Refer to the wire chart on page 8 of the Boat Hoist USA Equipment Guide. The Equipment Guide can be found in Product Support Center on our website: [www.bh-usa.com](http://www.bh-usa.com).