



BH-USA

EVERYTHING FOR YOUR DOCK & PIER



THE LEADER IN THE BOAT LIFT & DOCK INDUSTRY

EVERYTHING FOR YOUR DOCK & PIER



Owner: Paula & Kim Howard
Builder: Justin Simmons Construction
Location: Lake Cherokee, Longview Texas



SOLUTIONS THAT MAKE A DIFFERENCE

Improved features such as scan QR codes have been added into this catalog to make it easier to access Products, Technical Guides

Scan QR codes with your smartphones, camera, or a QR code reader app.



GIVE US A CALL
318-286-9169

CAN'T FIND A PRODUCT YOU NEED?
Visit **BH-USA.COM** to shop our full selection of products.



Boat Lifts 4 Less does not have any type of showroom or store. We encourage you to Call customer service to place orders.

Visit our website for the latest pricing and product information

Call or email for pricing and ordering! www.BoatLifts4Less.com Ph. 318-286-9169 Email: info@boatlifts4less.com

Boat Lifts

Coastal Series.....	2
The Max.....	3
Gulf Breeze.....	4
Pile Mount Lifts.....	6-7
360 PWC Lifts.....	8
PWC Skiff Lifts.....	9

Electrical

Elite Motors.....	11-12
Leeson Motors.....	13-14
Marathon Motors.....	15
Motor Parts.....	16
Gem Remotes.....	17
Controls.....	18

Boat Hoists

Flat Plate Hoists.....	20-22
Covers & Accessories.....	23
Direct Drive Hoists.....	24
PWC Hoists.....	25
Brake Winches/Grease.....	26

Cradles & Slings

Slings.....	27
Signature Series.....	28
Aluminum Cradles.....	29
Galvanized Cradles.....	30
Parts.....	31-32

Rigging

Top Beams/Lift Parts.....	33
Hoist Parts.....	34
Cable Components.....	35
Hoist Hangers.....	36
Drive Pipe Supports.....	37
Blocks Rigging.....	38
Shackles, Sheaves & Bushings.....	39
Aircraft Cable.....	40-41
Tools.....	42
Fasteners.....	43

Docking

Towable Tubes.....	45
Loungers.....	46
Outdoor Fun.....	47
Gear.....	48
Piling Caps.....	49
Cleats.....	50
Ladders.....	51
Dock Storage.....	52
Stain.....	53
Coatings.....	54
Dock Edging.....	55
Dock Protection.....	56-57
Dock Construction.....	58-59
Furniture.....	60
Dock Safety.....	61
Rail System.....	62
Lighting.....	63-64

Boating & Mooring

Fenders.....	65
Mooring Whips.....	70
Mooring Whip Parts.....	71
Mooring Buoys.....	72



ELITE MOTORS

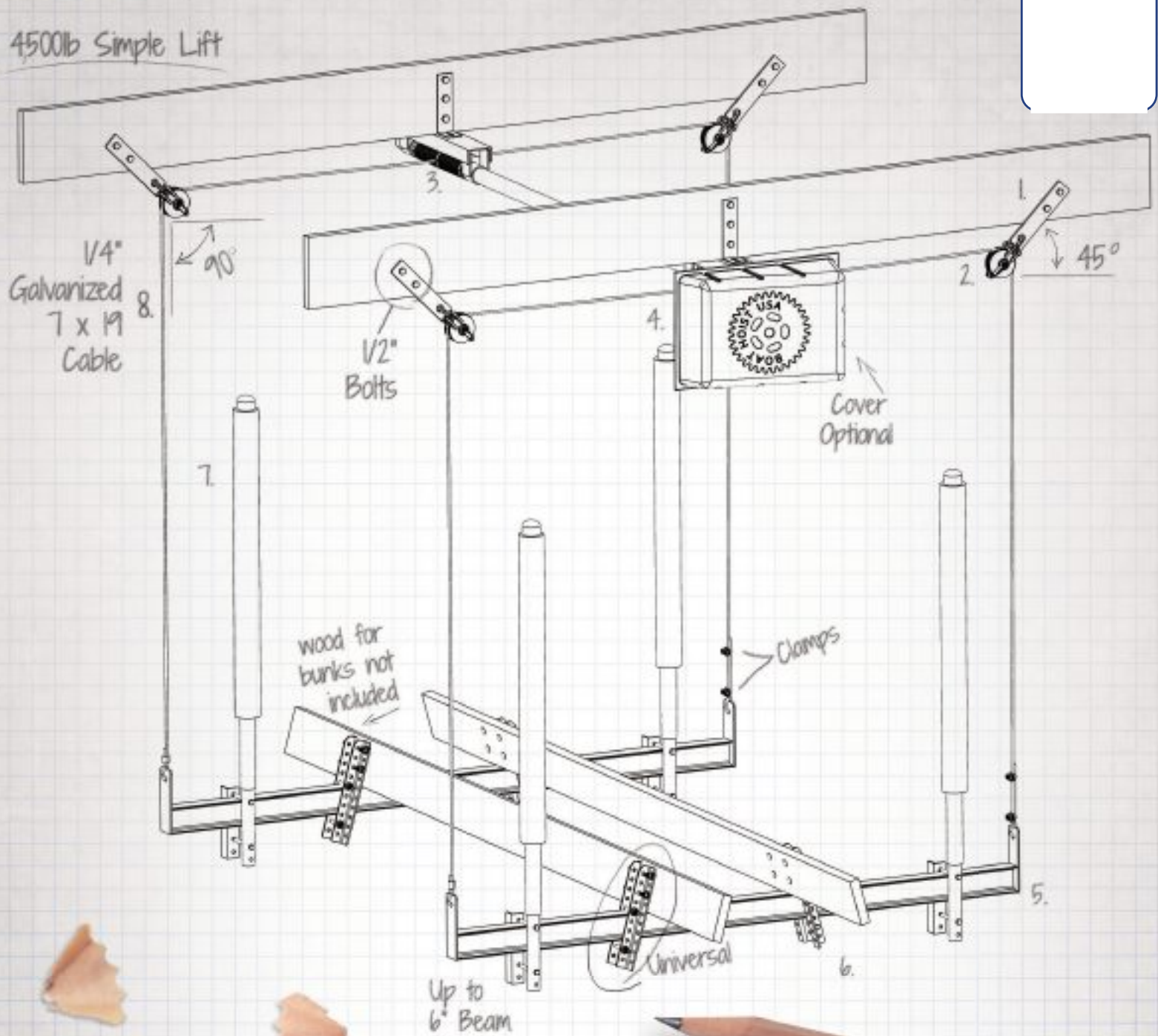


Coastal Series
BOATLIFTS

Call or email for pricing and ordering! www.BoatLifts4Less.com Ph. 318-286-9169 Email: info@boatlifts4less.com

Visit our website for the latest pricing and product information www.BoatLifts4Less.com

4500lb Simple Lift



- 1. 12" Strap Hangers (4 strap hangers)
SKU# BH02164
- 2. 3" Ball Bearing Blocks (4 blocks)
SKU# BH02157
- 3. Dual Pipe Supports (see pg. 37)
- 4. Flat Plate Hoist
(multiple options, see pgs. 20 - 22)

- 5. 5" I Beams
(length varies, see pg. 32)
- 6. Universal Chock Angles
(Available in 12", 16", 22", pg. 31)
- 7. GuidePost Bumpers (optional)
(other items needed for this)
- 8. 1/4" Galvanized Cable
(see pg. 41)

Coastal Series


BOATLIFTS



- ▶ Engineered & Rated
- ▶ All Aluminum
- ▶ Easy Installation
- ▶ Comes Complete & Ready to Install




Coastal Series Overhead Boat Sling Lift

 4,000 or 8,000 lbs.
Lift Capacity

- 15008** 4,000 lbs. 4 in. x 14 ft.
- 15009** 4,000 lbs. 4 in. x 16 ft.
- 15003** 8,000 lbs. 6 in. x 16 ft.
- 15004** 8,000 lbs. 6 in. x 18 ft.




Coastal Series Overhead V-Hull Boat Lift

 4,000 or 8,000 lbs.
Lift Capacity

- 15005** 4,000 lbs.
- 15000** 8,000 lbs.



Coastal Series Overhead Pontoon/Tritoon Boat Lift

 4,000 or 8,000 lbs.
Lift Capacity

- 15006** 4,000 lbs. Pontoon Cradle
- 15001** 8,000 lbs. Pontoon Cradle
- 15007** 4,000 lbs. Tritoon Cradle
- 15002** 8,000 lbs. Tritoon Cradle

BH-USA

THE MAX



- ▶ Engineered for Heavy Usage
- ▶ Perfect for Marinas
- ▶ Strongest Overhead Lift Available
- ▶ All Steel Construction



The Max – 16,000 lb. Heavy Duty Overhead Boat Lift w/ Slings



Up to 16,000 lbs.
Lift Capacity

- 15291 6 in. x 14 ft. Black Slings
- 15290 6 in. x 16 ft. Black Slings
- 15292 6 in. x 18 ft. Black Slings
- 42409 8 in. x 14 ft. Black Slings
- 77196 8 in. x 16 ft. Black Slings
- 77198 8 in. x 18 ft. Black Slings

Also available with no overhead beams



The Max – 16,000 lb. Heavy Duty Overhead Boat Lift w/ Cradles



Up to 16,000 lbs.
Lift Capacity

- 61420 9 ft. V-Hull Cradle
- 61424 10 ft. V-Hull Cradle

Also available with no overhead beams

Visit our website for the latest pricing and product information www.BoatLifts4Less.com

Ph. 318-286-9169

Overhead Boathouse Lift



- ▶ 6061-T6 US Aluminum Construction
- ▶ Lightweight, no welds, easy to install
- ▶ Uses two A-Drive direct-drive hoists
- ▶ Side mount on wood joists
- ▶ Made in the USA



8,000 - 12,000 LBS.

Gulf Breeze Overhead Boathouse Lift

BH01099GB Aluminum Cradle

93179 No Cradle



Up to 12,000 lbs.
Lift Capacity



Pile Mount Lifts

Coastal Series
BOATLIFTS

- ▶ **No-Weld Design**
- ▶ **All Stainless Steel & Aluminum Construction**
- ▶ **Made in the USA**



Pictured Coastal Series 16,000 lb. Lift
36472

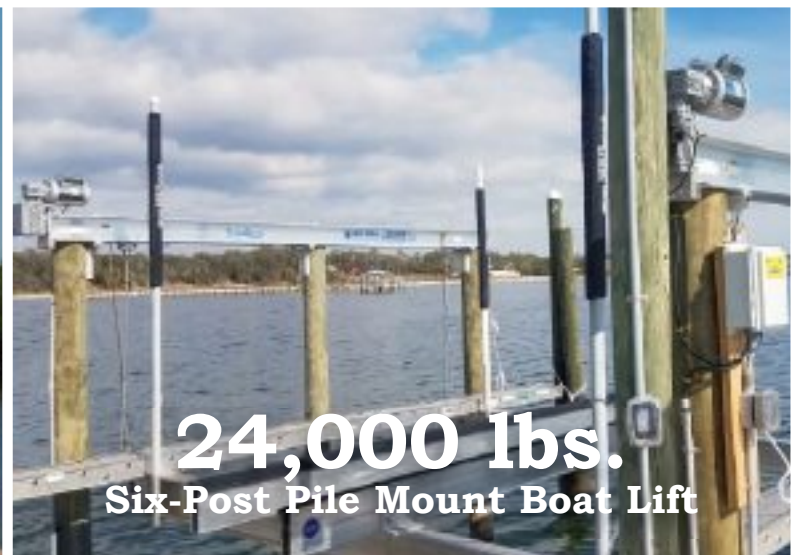
Aluminum Pile Mount Lifts

Coastal Series
BOATLIFTS



All Coastal Series Lifts Come Standard With:

- ▶ Belt-less Drives
- ▶ Stainless Steel Motors
- ▶ Aluminum Bunks
- ▶ All-Stainless Rigging
- ▶ No Welds
- ▶ Made in the USA



Galvanized Pile Mount Lifts



All Coastal Series Lifts Come Standard With:

- ▶ Hot-Dipped Galvanized top beams
- ▶ All Steel Welded Construction
- ▶ Build for any marine environment
- ▶ Strict zinc level requirements
- ▶ Made in the USA



6,000 lbs.

Galvanized Four-Post Pile Mount Boat Lift



8,000 lbs.

Galvanized Four-Post Pile Mount Boat Lift



10,000 lbs.

Galvanized Four-Post Pile Mount Boat Lift



12,000 lbs.

Galvanized Four-Post Pile Mount Boat Lift



Aluminum Pile Mount Lifts

- 36469** 6,000 lb. Aluminum Four Post Pile Mount Lift
- 84874** 8,000 lb. Aluminum Four Post Pile Mount Lift
- 36470** 9,000 lb. Aluminum Four Post Pile Mount Lift
- 36471** 12,000 lb. Aluminum Four Post Pile Mount Lift
- 36472** 16,000 lb. Aluminum Four Post Pile Mount Lift
- 36473** 20,000 lb. Aluminum Four Post Pile Mount Lift
- BH02151** 20,000 lb. Aluminum Six Post Pile Mount Lift
- 84890** 24,000 lb. Aluminum Six Post Pile Mount Lift
- 61446** 30,000 lb. Aluminum Eight Post Pile Mount Lift

Galvanized Pile Mount Lifts

- 50035** 6,000 lb. Galvanized Four Post Pile Mount Boat Lift
- 50036** 8,000 lb. Galvanized Four Post Pile Mount Boat Lift
- 50037** 10,000 lb. Galvanized Four Post Pile Mount Boat Lift
- 50038** 12,000 lb. Galvanized Four Post Pile Mount Boat Lift

PWC Lifts



Pictured Skiff Lift



Pictured 360 PWC Lift



Pictured 360 PWC Lift



Pictured Skiff Lift



Welcome Back

LIL' LIFTER

DOCK SIDE

BH-USA's engineer worked with the original design and recreated this iconic lift down to the smallest detail. The all aluminum Dock Side Lil' Lifter is available with the super easy manual winch or an A-Drive electric boat hoist. Perfect for smaller PWC and kayaks.



PWC Skiff Lift

Coastal Series

BOATLIFTS

- ▶ Rotates 180°
- ▶ Saltwater Proficient
- ▶ Mounts to Piling



BH-360 PWC Lifts

- ▶ Rotates 360° when raised out of the water
- ▶ Installs easily in a boathouse, canopies, or open-air docks
- ▶ Made in the USA



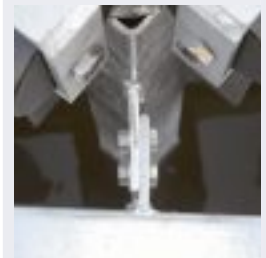
Direct-Drive

Belt-Driven



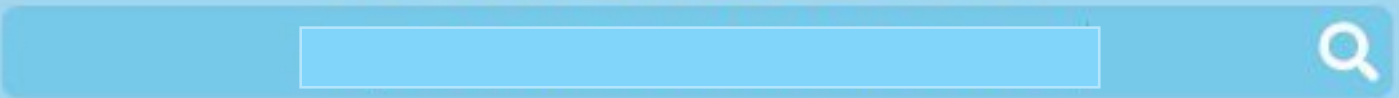
Choose your ride pipe size

- 6 ft. Ride Pipe
- 8 ft. Ride Pipe
- 10 ft. Ride Pipe
- 12 ft. Ride Pipe



The kit includes black carpeted wooden bunks, guideposts, the main housing frame, and either a (belt-driven PWC hoist or a direct-drive/A-Drive hoist). The PWC hoist uses a 3/4 HP Elite painted boat lift motor.

WE HAVE THE LARGEST SELECTION OF BOAT LIFT MOTORS IN THE INDUSTRY



GO LOOK!

ELITE ELECTRIC MOTORS



- ▶ Designed for the Boat Lift Industry
- ▶ UL Listed
- ▶ IPP & NEMA Rated

Voltage
115/230

ELITE MOTOR
1 YEAR MFG
WARRANTY

Motor only doesn't have a 2" pulley

All the wired motors listed in this catalog have a 16 ft. cable. Check our website for other cable length options.

Elite 3/4 HP Painted 56 Frame

Model	Switch	Voltage	AMPS	Service
79601	Motor Only	220V GFCI	11.4/5.7	1.25
79602	Maintained	110V GFCI	11.4	1.25
79603	Momentary	110V GFCI	11.4	1.25
79604	Maintained	220V GFCI	5.7	1.25
79605	Momentary	220V GFCI	5.7	1.25



56 Frame Motors are designed for Flat-Plate boat hoists. All wired motors include in-line GFCI.

Elite 1 HP Painted 56 Frame

Model	Switch	Voltage	AMPS	Service
79614	Motor Only	220V GFCI	12.5/6.7	1.00
79615	Maintained	110V GFCI	12.5	1.00
79616	Momentary	110V GFCI	12.5	1.00
79617	Maintained	220V GFCI	6.7	1.00
79618	Momentary	220V GFCI	6.7	1.00



56 Frame Motors are designed for Flat-Plate boat hoists. All wired motors include in-line GFCI

Elite 1 1/2 HP Painted 56 Frame Single Pulley

Model	Switch	Voltage	AMPS	Service
93077	Motor Only	220V GFCI	15/7.5	1.00
93078	Maintained	110V GFCI	15	1.00
93079	Momentary	110V GFCI	15	1.00
93080	Maintained	220V GFCI	7.5	1.00
93081	Momentary	220V GFCI	7.5	1.00



56 Frame Motors are designed for Flat-Plate boat hoists. All wired motors include in-line GFCI

Elite 1 1/2 HP Painted 56 Frame Dual Pulley

Model	Switch	Voltage	AMPS	Service
93105*	Maintained	110V GFCI	17.04	1.00
93106*	Momentary	110V GFCI	17.04	1.00
93107*	Maintained	220V GFCI	8.52	1.00
93108*	Momentary	220V GFCI	8.52	1.00



56 Frame Motors are designed for Flat-Plate boat hoists. All wired motors include in-line GFCI

*You cannot choose dual pulley using sku. number you must enter in the options you want on the website

Elite 1 HP-HD Painted 56 Frame

Model	Switch	Voltage	AMPS	Service
93068	Motor Only	220V GFCI	17.04/8.52	1.25
93069	Maintained	110V GFCI	17.04	1.25
93070	Momentary	110V GFCI	17.04	1.25
93071	Maintained	220V GFCI	8.52	1.25
93072	Momentary	220V GFCI	8.52	1.25



56 Frame Motors are designed for Flat-Plate boat hoists. All wired motors include in-line GFCI

CAUTION: ALL ELECTRICAL TROUBLESHOOTING AND TESTING SHOULD BE PERFORMED BY A QUALIFIED ELECTRICIAN.



Boat Lift Motors Elite Motors

All the wired motors listed in this catalog have a 16 ft. cable. Check our website for other cable length options.



Elite 3/4 HP Painted C-Face Painted TENV

Model	Switch	Voltage	AMPS	Service
93050	Motor Only	220V GFCI	11.4/5.7	1.25
93051	Maintained	110V GFCI	11.4	1.25
93052	Momentary	110V GFCI	11.4	1.25
93053	Maintained	220V GFCI	5.7	1.25
93054	Momentary	220V GFCI	5.7	1.25

C-Face mount motors will not work with Flat Plate Belt Drive Hoists. All wired motors come with in-line GFCI's



Elite 1 HP Painted C-Face Painted TENV

Model	Switch	Voltage	AMPS	Service
93059	Motor Only	220V GFCI	15.2/7.9	1.00
93060	Maintained	110V GFCI	15.2	1.00
93061	Momentary	110V GFCI	15.2	1.00
93062	Maintained	220V GFCI	7.9	1.00
93063	Momentary	220V GFCI	7.9	1.00

C-Face mount motors will not work with Flat Plate Belt Drive Hoists. All wired motors come with in-line GFCI's



Elite 1 1/2 HP Painted C-Face Painted TENV

Model	Switch	Voltage	AMPS	Service
93014	Motor Only	220V GFCI	10.0	1.00
93015	Maintained	110V GFCI	10.0	1.00
93016	Momentary	110V GFCI	10.0	1.00
93017	Maintained	220V GFCI	20.0	1.00
93018	Momentary	220V GFCI	20.0	1.00

C-Face mount motors will not work with Flat Plate Belt Drive Hoists. All wired motors come with in-line GFCI's



Elite 3/4 HP Stainless Steel C-Face

Model	Switch	Voltage	AMPS	Service
93082	Motor Only	220V GFCI	11.4/5.7	1.25
93083	Maintained	110V GFCI	11.4	1.25
93084	Momentary	110V GFCI	11.4	1.25
93085	Maintained	220V GFCI	5.7	1.25
93086	Momentary	220V GFCI	5.7	1.25

C-Face mount motors will not work with Flat Plate Belt Drive Hoists. All wired motors come with in-line GFCI's



Elite 1 HP Stainless Steel C-Face

Model	Switch	Voltage	AMPS	Service
93091	Motor Only	220V GFCI	11.4/5.7	1.15
93092	Maintained	110V GFCI	11.4	1.15
93093	Momentary	110V GFCI	11.4	1.15
93094	Maintained	220V GFCI	5.7	1.15
93095	Momentary	220V GFCI	5.7	1.15

C-Face mount motors will not work with Flat Plate Belt Drive Hoists. All wired motors come with in-line GFCI's



Elite 1 1/2 HP Stainless Steel C-Face

Model	Switch	Voltage	AMPS	Service
93100	Motor Only	220V GFCI	15/7.5	1.00
93101	Maintained	110V GFCI	15	1.00
93102	Momentary	110V GFCI	15	1.00
93103	Maintained	220V GFCI	7.5	1.00
93104	Momentary	220V GFCI	7.5	1.00

C-Face mount motors will not work with Flat Plate Belt Drive Hoists. All wired motors come with in-line GFCI's

CAUTION: ALL ELECTRICAL TROUBLESHOOTING AND TESTING SHOULD BE PERFORMED BY A QUALIFIED ELECTRICIAN.



All the wired motors listed in this catalog have a 16 ft. cable. Check our website for other cable length options.

Leeson 3/4 HP Painted 56 Frame

Model	Switch	Voltage	AMPS	Service
12372	Motor Only	220V GFCI	12.4/6.1	1.25
17544	Maintained	110V GFCI	12.4	1.25
17502	Momentary	110V GFCI	12.4	1.25
60406	Maintained	220V GFCI	6.1	1.25
79627	Momentary	220V GFCI	6.1	1.25



Leeson 56 Frame 1 HP Painted

Model	Switch	Voltage	AMPS	Service
12396	Motor Only	220V GFCI	13.8/6.9	1.00
79635	Maintained	110V GFCI	13.8	1.00
17531	Momentary	110V GFCI	13.8	1.00
79636	Maintained	220V GFCI	6.9	1.00
60418	Momentary	220V GFCI	6.9	1.00



Leeson 56 Frame 1 1/2 HP Single Pulley

Model	Switch	Voltage	AMPS	Service
12419	Motor Only	110/220V GFCI	19.4/9.7	1.00
BH07216	Maintained	110V GFCI	19.4	1.00
BH07215	Momentary	110V GFCI	19.4	1.00
BH07220	Maintained	220V GFCI	9.7	1.00
17537	Momentary	220V GFCI	9.7	1.00



Leeson 56 Frame 1 1/2 HP Dual Pulley

Model	Switch	Voltage	AMPS	Service
BH07219*	Maintained	110V GFCI	19.4	1.00
BH07221*	Momentary	110V GFCI	19.4	1.00
BH07224*	Maintained	220V GFCI	9.7	1.00
BH07222*	Momentary	220V GFCI	9.7	1.00



*You cannot choose dual pulley using model number you must enter in the options you want on the website

Leeson/Electra-Gear Stainless Steel 56 Frame 3/4 HP

Model	Switch	Voltage	AMPS	Service
12518	Motor Only	220V GFCI	10.4/5.2	1.15
84895	Maintained	110V GFCI	10.4	1.15
84896	Momentary	110V GFCI	10.4	1.15
84897	Maintained	220V GFCI	5.2	1.15
84898	Momentary	220V GFCI	5.2	1.15

Electra-Gear



Leeson/Electra-Gear Stainless Steel 56 Frame 1 HP

Model	Switch	Voltage	AMPS	Service
12532	Motor Only	220V GFCI	13.6/6.6	1.15
79647	Maintained	110V GFCI	13.6	1.15
79648	Momentary	110V GFCI	13.6	1.15
79649	Maintained	220V GFCI	6.6	1.15
79650	Momentary	220V GFCI	6.6	1.15

Electra-Gear



CAUTION: ALL ELECTRICAL TROUBLESHOOTING AND TESTING SHOULD BE PERFORMED BY A QUALIFIED ELECTRICIAN.



All the wired motors listed in this catalog have a 16 ft. cable. Check our website for other cable length options.

Leeson/Electra-Gear Stainless Steel 56 Frame 1 1/2 HP Single Pulley



Model	Switch	Voltage	AMPS	Service
12570	Motor Only	220V GFCI	19.4/9.7	1.33
12587	Maintained	110V GFCI	19.4	1.33
07292	Momentary	110V GFCI	19.4	1.33
93133	Maintained	220V GFCI	9.7	1.33
BH07202	Momentary	220V GFCI	9.7	1.33

Electra-Gear

Leeson/Electra-Gear Stainless Steel 56 Frame 1 1/2 HP Dual Pulley



Model	Switch	Voltage	AMPS	Service
79658*	Maintained	110V GFCI	19.4	1.33
79659*	Momentary	110V GFCI	19.4	1.33
79660*	Maintained	220V GFCI	9.7	1.33
79661*	Momentary	220V GFCI	9.7	1.33

Electra-Gear

Leeson/Electra-Gear Stainless Steel C-Face 3/4 HP



Model	Switch	Voltage	AMPS	Service
12471	Motor Only	220V GFCI	10.4/5.2	1.15
79662	Maintained	110V GFCI	10.4	1.15
79663	Momentary	110V GFCI	10.4	1.15
79664	Maintained	220V GFCI	5.2	1.15
79665	Momentary	220V GFCI	5.2	1.15

Electra-Gear

Leeson/Electra-Gear Stainless Steel C-Face 1 HP



Model	Switch	Voltage	AMPS	Service
12495	Motor Only	220V GFCI	13.6/6.6	1.15
79674	Maintained	110V GFCI	13.6	1.15
79675	Momentary	110V GFCI	13.6	1.15
79676	Maintained	220V GFCI	6.6	1.15
79677	Momentary	220V GFCI	6.6	1.15

Electra-Gear

Leeson/Electra-Gear Stainless Steel C-Face 1 1/2 HP



Model	Switch	Voltage	AMPS	Service
BH12556	Motor Only	220V GFCI	19.4/9.7	1.00
BH07200	Maintained	110V GFCI	19.4	1.00
BH07209	Momentary	110V GFCI	19.4	1.00
BH04798	Maintained	220V GFCI	9.7	1.00
BH04796	Momentary	220V GFCI	9.7	1.00

Electra-Gear

CAUTION: ALL ELECTRICAL TROUBLESHOOTING AND TESTING SHOULD BE PERFORMED BY A QUALIFIED ELECTRICIAN.



NEED VIDEO INSTRUCTIONS?
WWW.YOUTUBE.COM/BH-USA
FOR ELITE MOTORS ONLY



SCAN FOR



OUR YOUTUBE



All the wired motors listed in this catalog have a 16 ft. cable. Check our website for other cable length options.

Marathon 56 Frame 3/4 HP

Model	Switch	Voltage	AMPS	Service
12334	Motor Only	220V GFCI	10.4/5.2	1.15
BH07238	Maintained	110V GFCI	10.4	1.15
BH07237	Momentary	110V GFCI	10.4	1.15
75694	Maintained	220V GFCI	5.2	1.15
75695	Momentary	220V GFCI	5.2	1.15



Marathon 56 Frame 1 HP-HD

Model	Switch	Voltage	AMPS	Service
12358	Motor Only	220V GFCI	13.6/6.6	1.15
BH07240	Maintained	110V GFCI	13.6	1.15
BH07239	Momentary	110V GFCI	13.6	1.15
60426	Maintained	220V GFCI	6.6	1.15
60427	Momentary	220V GFCI	6.6	1.15



CAUTION: ALL ELECTRICAL TROUBLESHOOTING AND TESTING SHOULD BE PERFORMED BY A QUALIFIED ELECTRICIAN.

GENERAL BOAT HOIST MOTOR SPECIFICATIONS

<p>Voltage 115/230</p>	<p>3/4 HP DUAL VOLTAGE AMPS 115=20 AMPS 230=10 TENV 15 MIN MAX Up to 3500 Lb. COMPLIANCE=UL</p>	<p>1 HP DUAL VOLTAGE AMPS 115=15.2 AMPS 230=8 TENV 15 MIN MAX Up to 4500 Lb. COMPLIANCE=UL</p>	<p>1 HP HD DUAL VOLTAGE AMPS 115=15.2 AMPS 230=8 TENV 15 MIN MAX Up to 6500 Lb. COMPLIANCE=UL</p>	<p>1 1/2 HP DUAL VOLTAGE AMPS 115=12 AMPS 230=6.1 TENV 15 MIN MAX Up to 8500 Lb. COMPLIANCE=UL</p>
----------------------------	--	---	--	---

INCLUDED IN ALL MOTOR BOXES: Detailed specifications, Equipment Guide, Warranty Information. Wired motors ALSO include: switches, control cable, GFCI wired to the motor. (voltage specifications and switch types noted on boxes.)

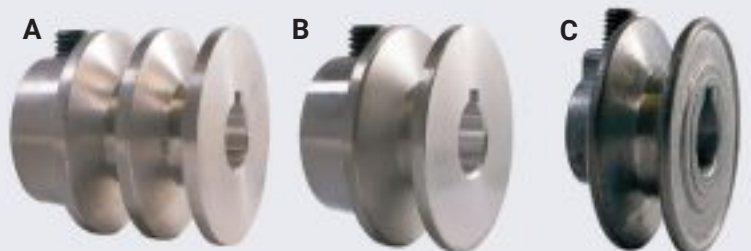
2" Motor Pulleys

Motor pulleys are designed to be mounted onto the shaft of the motor. As the motor spins, it spins the pulley and the pulley moves the belt attached to the hoist. This motion turns the drive pipe to lift or lower the boat in a boat lift.

A. 2" Aluminum Die-Cast Dual Belt Motor Pulley
12044

B. 2" Aluminum Die-Cast Motor Pulley
12051

C. 2" Zinc Die-Cast Motor Pulley
12068

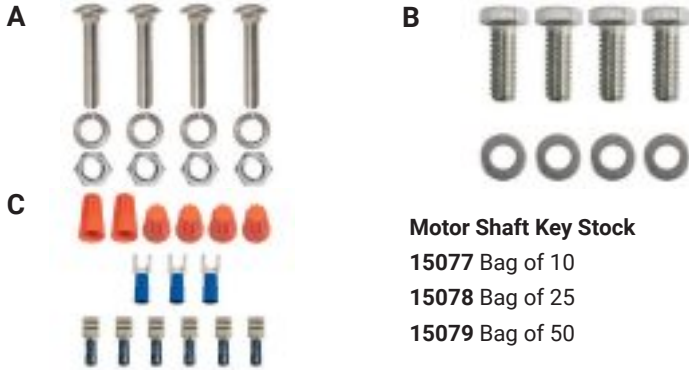


SEE PG. 34 FOR 10"-12" GEAR PLATE PULLEYS



Electrical Boat Lift Motor Parts

Motor Mounting Hardware Kits



Motor Shaft Key Stock
15077 Bag of 10
15078 Bag of 25
15079 Bag of 50

A. Flat-Plate Motor Mounting Fastener Kit

Includes (4) 5/16" x 1 1/2" stainless steel carriage bolts, (4) 5/16" stainless steel lock washers, and (4) 5/16" stainless steel nuts.

12020

B. Direct-Drive Motor Mounting Fastener Kit

Includes (4) 3/8" x 1" stainless steel hex head bolts and (4) 3/8" stainless steel flat washers.

12037

C. Electric Motor Wiring Kit

Includes (6) orange wiring nuts, (3) blue male spades, and (5) blue female spades.

12006

Control Cable



SJTW 12/5 Boat Lift Control Cable

Standard	UL
Core Insulation	PVC
Overall Diameter	.52"
Surface	Smooth
Jacket Material	PVC
5 Conductor Color	W/R/O/G/B
Max Volt	300
Filler	Poly Rope

SJTW 14/5 Boat Lift Control Cable

Standard	UL
Core Insulation	PVC
Overall Diameter	.44"
Surface	Smooth
Jacket Material	Copper
5 Conductor Color	W/R/O/G/B
Filler	Poly Rope
Max Volt	300

60417 Sold Per Foot (Max 99 ft cut)
75630 100 ft Spool
75631 250 ft Spool
75625 500 ft Spool
75626 1000 ft Spool
75627 2000 ft Spool

40012 Sold Per Foot (Max 99 ft cut)
33891 25 ft in clam pack for resale
75628 100 ft Spool
75629 250 ft Spool
75622 500 ft Spool
75623 1000 ft Spool
93163 2500 ft Spool
75624 5000 ft Spool

Start Capacitor

Start Capacitors are installed into the housing of the boat lift motor. The start capacitors work on many brands of boat lift motor's including some we do not currently carry.



Used for both 56 Frame Motors & C-Face Motors

A. 465uF Start Capacitor

(UF) 415-465 1 3/1.7% VAC 165 UL E475013 HZ 50/60 CODE 21/65/21OEM Elite Painted 3/4 HP CAP DIM. 2.75 (L) X 1.50" BH02247

56 Frame Motors

B. 480uF Start Capacitor

(UF) 480 20% VAC 165 UL E351767 HZ 50/60 CODE 40/65/10 OEM ELITE PAINTED 1 HP CAP DIM. 4 (L) X 2.45" BH02248

C. 650uF Start Capacitor

(UF) 650 20% VAC 165 UL E351767 HZ 50/60 CODE 40/65/10 OEM ELITE PAINTED 1.5 HP CAP DIM. 4 (L) X 2.45" BH02249

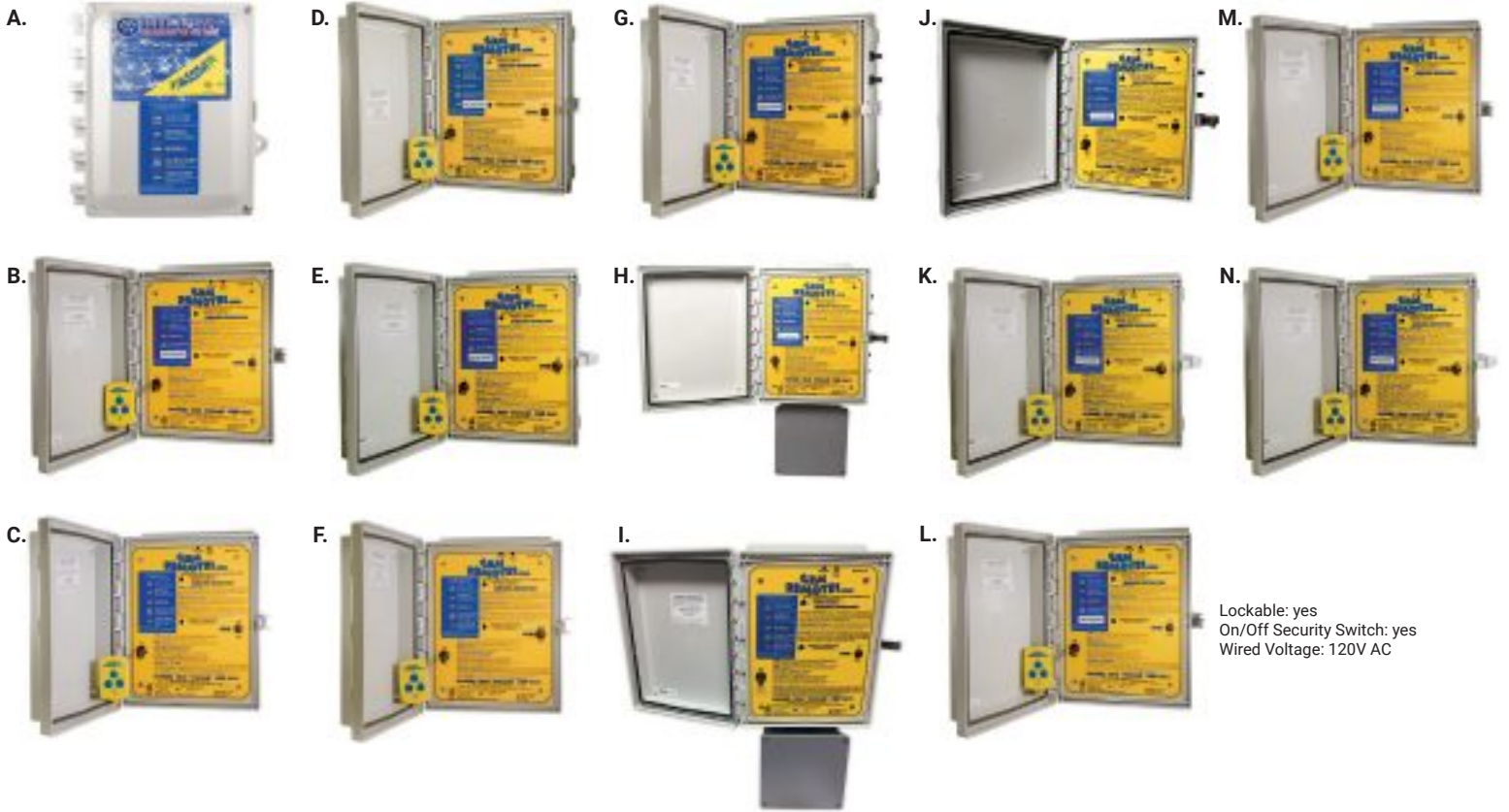
C-Face Motors

D. 700uF Start Capacitor

(UF) 700 VAC 165 UL Listed HZ 50/60 OEM ELITE PAINTED 3/4 HP CAP DIM. 3.40 (L) X 1.75 BH02245

E. 800uF Start Capacitor

(UF) 415-465 1 3/1.7% VAC 165 UL E475013 HZ 50/60 CODE 21/65/21 OEM ELITE PAINTED 3/4 HP CAP DIM. 2.75 (L) X 1.50" BH02246



Lockable: yes
On/Off Security Switch: yes
Wired Voltage: 120V AC

A. GRP1 Single Motor PWC Boat Lift Remote
(1 Motor Operation)
Box Dimensions: 8.5"(w) x 10.5"(h) x 6"(d)
33861 Auto Run Stop Capable

B. GR1 Single Motor Boat Lift Remote
(1 Motor Operation)
Box Dimensions: 8.5"(w) x 10.5"(h) x 6"(d)
GR09069 Not Auto Run Stop Capable

C. GR1A Single Motor Boat Lift Remote Auto Stop
(Operates 1 Motor, Auto Stop Capability)
Box Dimensions: 8.5"(w) x 10.5"(h) x 6"(d)
12312 Auto Run Stop Capable

D. GR1or2 Boat Lift Remote
(Operates 1 or 2 Motors switch lift with transmitters)
Box Dimensions: 8.5"(w) x 10.5"(h) x 6"(d)
36428 Not Auto Run Stop Capable

E. GR2 Double Motor Boat Lift Remote
(Operates 2 Motors at Same Time)
Box Dimensions: 8.5"(w) x 10.5"(h) x 6"(d)
12891 Not Auto Run Stop Capable

F. GR2A Double Motor Boat Lift Remote Auto Stop
(Operates 2 Motors, Auto Stop, Leveling Toggle Switch)
Box Dimensions: 8.5"(w) x 10.5"(h) x 6"(d)
12313 Auto Run Stop Capable

G. GR2F1 2-for-1 Boat Lift Remote
(Operates 2 Separate Lifts W/ 1 Motor Each)
Box Dimensions: 8.5"(w) x 10.5"(h) x 6"(d)
33860 Must be Manually Selected

H. GR4 Four Motor Boat Lift Remote
(Operates 4 Motors, Leveling Toggle Switch)
Box Dimensions: 8.5"(w) x 10.5"(h) x 6"(d)
GR04768 Not Auto Run Stop Capable

I. GR4A Four Motor Boat Lift Remote Auto Stop
(Operates 4 Motors)
Box Dimensions: 8.5"(w) x 10.5"(h) x 6"(d)
GR04769 Auto Run Stop Capable

J. GR4F1 4-for-1 Boat Lift Remote
(Runs four single motor lifts with one remote)
Box Dimensions: 8.5"(w) x 10.5"(h) x 6"(d)
15135 Not Auto Run Stop Capable

K. GR1-DC 12 Volt Single Motor Boat Lift Remote
(Operates 1 Lift W/ 1 Motor)
Box Dimensions: 8.5"(w) x 10.5"(h) x 6"(d)
25311 Must be Manually Selected

L. GR1-DC 24 Volt Single Motor Boat Lift Remote
(Operates 1 Lift W/ 1 Motor)
Box Dimensions: 8.5"(w) x 10.5"(h) x 6"(d)
97179 Must be Manually Selected

M. GR2-DC 12 Volt Double Motor Boat Lift Remote
(Operates 1 Lift W/ 2 Motors)
Box Dimensions: 8.5"(w) x 10.5"(h) x 6"(d)
25312 Must be Manually Selected

N. GR2-DC 24 Volt Double Motor Boat Lift Remote
(Operates 1 Lift W/ 2 Motors)
Box Dimensions: 8.5"(w) x 10.5"(h) x 6"(d)
97180 Must be Manually Selected

Transmitters

12129
Two button old style transmitter for remotes made 2006 & earlier

40026
Three button style transmitter for remotes made from 2007 to Present



Limit Switches for Gem Remotes

Limit switches need to be used with gem remote models that end in an "A" which denotes auto stop capability.

- A. 40024** GEM KFLS Flat-Plate Hoists, for BH-USA Hoist
- B. 40025** GEM KRLS Limit Switch, 2 Boat motor Lifts
- C. 93171** GEM KALS Limit Switch for BH-USA A-Drive
- D. 95828** GEM KCLS Golden Sea Drive Limit Switch
- E. 95818** GEM KELS Limit Switch for AMS E-Drive



110v Electric Motor Wire Harness



MAINTAINED

MOMENTARY

12304 Maintained 110 Volt in Line GFCI, 16 ft.

12305 Momentary 110 Volt in Line GFCI, 16 ft.

220v Electric Motor Wire Harness



MAINTAINED

MOMENTARY

12306 Maintained 220 Volt in Line GFCI, 16 ft.

12307 Momentary 220 Volt in Line GFCI, 16 ft.

Boat Lift Switches



BH09014 Bremas Maintained

BH09015 Bremas Momentary

BH09016 Salzer Maintained

BH09017 Salzer Momentary

GFCI Wire Harness



12211 110 Volt



12228 220 Volt

Replacement Handles



12112 Bremas



12105 Salzer

Bremas Easy Mount Tabs



BH07210 Bremas Switch Easy Mount Tabs

Bremas	Maintained	Momentary
Dimensions	3 1/2 in. x 4 1/2 in. x 4 1/2 in.	3 1/2 in. x 4 1/2 in. x 4 1/2 in.
Max AMPS	20	20
Max HP	1 1/2 HP	1 1/2 HP
Compliance	UL, NEMA, CE, SA	UL, NEMA, CE, SA
Vac	120 - 240	120 - 240
Weight	1.2 lbs.	1.2 lbs.

Salzer	Maintained	Momentary
Dimensions	3 1/4 in. L x 4 in. W x 5 in. H	3 1/4 in. L x 4 in. W x 5 in. H
Max AMPS	20	20
Max HP	1 1/2 HP	1 1/2 HP
Compliance	UL, NEMA, CE, SA	UL, NEMA, CE, SA
Vac	120 - 240	120 - 240
Weight	1.2 lbs.	1.2 lbs.

CAUTION: All electrical troubleshooting and testing should be performed by a qualified electrician.

FOR OVER 40 YEARS!



**BH-USA'S FLAT-PLATE HOIST'S ARE
STILL THE BEST MOST ADVANCED
ENGINEERED FLAT-PLATE'S
AVAILABLE ON THE MARKET!**

BH-30

Build your own standard flat-plate boat hoist.

BH-40



Standard Flat-Plate Boat Hoist

BH-30	Standard	4,000 lbs.	Elite 3/4 HP Painted	Short Block Worm Assembly Bronze Worm
BH-40	Standard	4,000 lbs.	Elite 1 HP Painted Motor	Short Block Worm Assembly – Bronze Worm

Gear plates & motors make up a hoist. BH-USA gear plates are pre-drilled to install a boat lift motor. Comes with gear pre-installed.

CHOOSE YOUR GEAR PLATE ASSEMBLY

4,000 LB. Standard Gear Plate Assembly

Dimensions	2 ft (h) x 1 ft (w)
Gear Ratio	96:1
Back Plate Bearing	Bronze Composite
Gear Material	Cast Iron
Worm Material	Hardened Bronze
Single Pulley	10"
Drive Belts	AX-34



12594



12600



12617

12594 Powder Coated Backplate

12600 Galvanized Backplate

12617 1/2" Thick Marine Grade Aluminum Backplate

CHOOSE YOUR ELITE MOTOR

Elite 3/4 HP Painted Wired Boat Lift Motor



79602 110V GFCI, Maintained Switch, 16 ft.

79604 220V GFCI, Maintained Switch, 16 ft.

79603 110V GFCI, Momentary Switch, 16 ft.

79605 220V GFCI, Momentary Switch, 16 ft.

Elite 1 HP Painted Wired Boat Lift Motor



79615 110V GFCI, Maintained Switch, 16 ft.

79617 220V GFCI, Maintained Switch, 16 ft.

79616 110V GFCI, Momentary Switch, 16 ft.

79618 220V GFCI, Momentary Switch, 16 ft.

BH-35

BH-45

BH-65



Build your own deluxe flat-plate boat hoist.



BH-35	Deluxe	6,500 lbs.	Elite 3/4 HP Painted	Extended Block Worm Assembly - Bronze Worm
BH-45	Deluxe	6,500 lbs.	Elite 1 HP Painted Motor	Extended Block Worm Assembly - Bronze Worm
BH-65	Deluxe	6,500 lbs.	Elite 1 HP Heavy Duty Painted	Extended Block Worm Assembly - Bronze Worm

Gear plates & motors make up a hoist. BH-USA gear plates are pre-drilled to install a boat lift motor. Comes with gear pre-installed.

CHOOSE YOUR GEAR PLATE ASSEMBLY

6,500 LB. Deluxe Gear Plate Assembly

Dimensions	2 ft (h) x 1 ft (w)
Gear Ratio	96:1
Back Plate Bearing	Bronze Composite
Gear Material	Cast Iron
Worm Material	Hardened Bronze
Single Pulley	10" Cast Aluminum
Drive Belts	AX-34



12624

12631

12648

60424

- 12624 Powder Coated Backplate
- 12631 Galvanized Backplate
- 12648 Aluminum Backplate
- 60424 1/2" Marine Grade Aluminum Backplate

CHOOSE YOUR ELITE MOTOR



Elite 3/4 HP Painted Wired Boat Lift Motor

- 79602 110V GFCI, Maintained Switch, 16 ft.
- 79604 220V GFCI, Maintained Switch, 16 ft.
- 79603 110V GFCI, Momentary Switch, 16 ft.
- 79605 220V GFCI, Momentary Switch, 16 ft.



Elite 1 HP Painted Wired Boat Lift Motor

- 79615 110V GFCI, Maintained Switch, 16 ft.
- 79617 220V GFCI, Maintained Switch, 16 ft.
- 79616 110V GFCI, Momentary Switch, 16 ft.
- 79618 220V GFCI, Momentary Switch, 16 ft.



Elite 1 HP Heavy Duty Painted Wired Boat Lift Motor

- 93069 110V GFCI, Maintained Switch, 16 ft.
- 93071 220V GFCI, Maintained Switch, 16 ft.
- 93070 110V GFCI, Momentary Switch, 16 ft.
- 93072 220V GFCI, Momentary Switch, 16 ft.

BH-75

Build your own advanced flat-plate boat hoist.

BH-85



Advanced Flat-Plate Boat Hoist

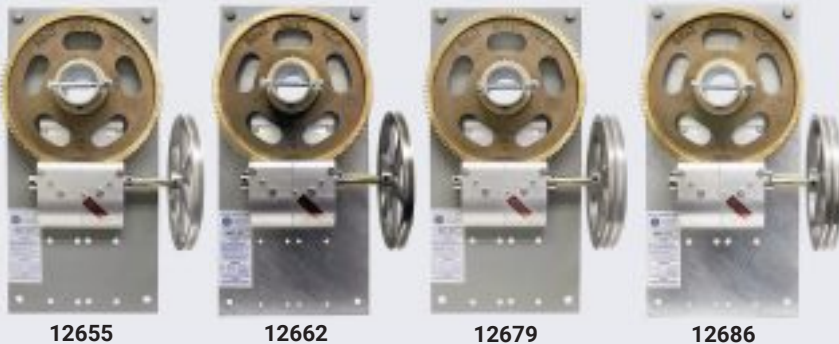
BH-75	Advanced Single Pulley	7,500 lbs.	Elite 1 1/2 HP Painted	Extended Block Worm Assembly – Steel Worm
BH-85	Advanced Dual Pulley	8,500 lbs.	Elite 1 1/2 HP Painted	Extended Block Worm Assembly – Steel Worm

Gear plates & motors make up a hoist. BH-USA gear plates are pre-drilled to install a boat lift motor. Comes with gear pre-installed.

CHOOSE YOUR GEAR PLATE ASSEMBLY

7,500 LB. Advanced Single Pulley Gear Plate Assembly & 8,500 LB. Advanced Dual Pulley Gear Plate Assembly

Dimensions	2 ft (h) x 1 ft (w)
Gear Ratio	96:1
Back Plate Bearing	Bronze Composite
Gear Material	Bronze
Worm Material	Steel
Single Pulley	10" Cast Aluminum
Dual Pulley	10" Cast Aluminum
Drive Belts	AX-34



12655 Powder Coated Backplate
12662 Galvanized Backplate

12679 Powder Coated Backplate
12686 Galvanized Backplate

CHOOSE YOUR ELITE MOTOR

Elite 1 1/2 HP Painted Wired Boat Lift Motor



93078 110V GFCI, Maintained Switch, 16 ft. Single Pulley
93080 220V GFCI, Maintained Switch, 16 ft. Single Pulley
93079 110V GFCI, Momentary Switch, 16 ft. Single Pulley
93081 220V GFCI, Momentary Switch, 16 ft. Single Pulley

93105 110V GFCI, Maintained Switch, 16 ft. Dual Pulley
93107 220V GFCI, Maintained Switch, 16 ft. Dual Pulley
93106 110V GFCI, Momentary Switch, 16 ft. Dual Pulley
93108 220V GFCI, Momentary Switch, 16 ft. Dual Pulley

Classic Style

- ✓ Covers **Front Half of Unit**
- ✓ **Molded-In UV Inhibitors**
- ✓ **High-Density Plastic Material**
- ✓ **Matches BH-USA Back Covers**
- ✓ **Three Color Variations**

Hoist Cover Dimensions: 28 3/4"L x 19 3/8"W
Cover Depth (Shallow End): 6"
Cover Depth (Deep End): 11"



SAVE MONEY

WHEN YOU PURCHASE A COVER WITH OUR LOGO ON IT!

Classic Flat Plate Hoists Front Cover

20362	White	Front W/ BH-USA Logo
20361	White	Front No Logo
20363	White	Back
20368	Gray	Front W/ BH-USA Logo
20367	Gray	Front No Logo
20369	Gray	Back
20365	Black	Front W/ BH-USA Logo
20364	Black	Front No Logo
20366	Black	Back



Front Cover Mount Hardware

BH07299 Flat-Plate Hoist Cover Mounting Hardware Kit

BH04785 Flat-Plate Hoist Cover Mounting - Top Piece Only

BH04786 Flat-Plate Hoist Cover Mounting - Bottom Piece Only

Stainless Steel Mounting Hardware for Standard Flat-Plate Hoist Covers



3000

4000

7000



3,000 lbs.

40:75 Double Worm Reducer

Elite 3/4 HP Stainless Steel C-Face Motor

4,000 lbs.

40:75 Double Worm Reducer

Elite 1 HP Painted C-Face Motor

4,000 lbs.

40:75 Double Worm Reducer

Elite 1 HP Stainless Steel C-Face Motor

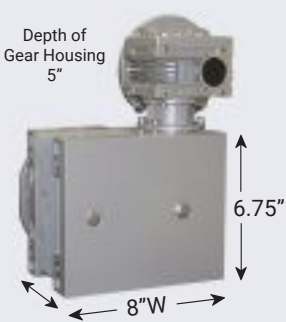
7,000 lbs.

40:90 Double Worm Reducer

Elite 1 1/2 HP Stainless Steel C-Face Motor

Depth of Gear Housing 5"

Depth of Gear Housing 5.5"



CHOOSE YOUR ELITE MOTOR



Elite 3/4 HP Stainless C-Face Motor
93083 110V, Maintained Switch, 16 ft.
93085 220V, Maintained Switch, 16 ft.
93084 110V, Momentary Switch, 16 ft.
93086 220V, Momentary Switch, 16 ft.



Elite 1 HP Painted C-Face Motor
93060 110V, Maintained Switch, 16 ft.
93062 220V, Maintained Switch, 16 ft.
93061 110V, Momentary Switch, 16 ft.
93062 220V, Momentary Switch, 16 ft.



Elite 1 HP Stainless Steel C-Face Motor
93060 110V, Maintained Switch, 16 ft.
93062 220V, Maintained Switch, 16 ft.
93061 110V, Momentary Switch, 16 ft.
93062 220V, Momentary Switch, 16 ft.



Elite 1 1/2 HP Stainless Steel C-Face Motor
93101 110V, Maintained Switch, 16 ft.
93062 220V, Maintained Switch, 16 ft.
93061 110V, Momentary Switch, 16 ft.
93062 220V, Momentary Switch, 16 ft.

A. A-Drive 40:75 Double Worm Reducer Gearbox
The A-Drive 40:75 worm gear reducers have all stainless steel fasteners. With a 450:1 ratio, the 40:75 gear box can straight line lift 3000 lbs with a 3/4 HP boat lift motor, and up to 4000 lbs with a 1 HP boat lift motor.
BH04776

B. A-Drive 40:90 Double Worm Reducer Gearbox
The A-Drive 40:90 worm gear reducers have all stainless steel fasteners. With a 450:1 ratio, the 40:90 gear box can straight line lift 7000 lbs with a 1 1/2 HP boat lift motor. This larger BH A-Drive 7000 gear reducer has an output shaft with a strong cast flange mount. When coupled with the correct mounting plate it can be used on both overhead lifts and pile mount lifts.
BH04777

A-Drive Shafts for Drive Pipes



Drive pipe attachment bolt with nylock nut included. Comes with two drive pipe attachment holes.

- A. 36429 3 & 4K for a 2" Drive Pipe
B. 36430 3 & 4K for a 1.5" Drive Pipe
C. 36431 7K for a 2" Drive Pipe
D. 36432 7K for a 1.5" Drive Pipe



A-Drive Motor Round Dust Cover

- A. BH02250 40:75/40:90
B. BH02251 40:90
C. BH02252 40:75



Square Dust Covers

- A. BH02020 Fits 40:75 Gearbox
B. BH02021 Fits 40:90 Gearbox
C. BH02019 fits both 40:75/40:90

PWC Lift Hoists

Direct Drive



A-Drive Direct Drive 1500 lb. PWC Hoist Gearbox

Gearbox features aluminum spool housing, aluminum gear housing, and bronze bushings. Capable of wrapping up to 1/4" 7 x 19 aircraft cable. Gear box ratio 1:100 single reducer.

A-Drive Direct Drive 1500 lb. PWC Hoist

61422 Elite Motor, Spring Switch..... \$ 799.99

Specifications

Lift Rating	1500 lbs
Power	1 HP Elite Stainless Steel Motor
Hoist	A-Drive 1500 lb. Enclosed Direct Drive
Cable	1/4" 316 Stainless Steel 7 x 19 Aircraft Cable
Mount	3 Hole Standard
Fasteners	Stainless Steel
Voltage	110V
AMPS	16 AMPS
Control	Bremas Momentary Boat Lift Switch

Belt Drive



1,500 LB. Enclosed Belt Driven PWC Hoist

This PWC Hoist is encased in a powder coated, steel, gear housing capable of straight line lifting up to 1500 lbs. It features no steel-on-steel working surfaces. It comes wired for 110 volt with a painted 3/4 HP motor and spring-loaded switch with 6 ft of control cable.

1,500 lb. Belt Driven PWC Hoist

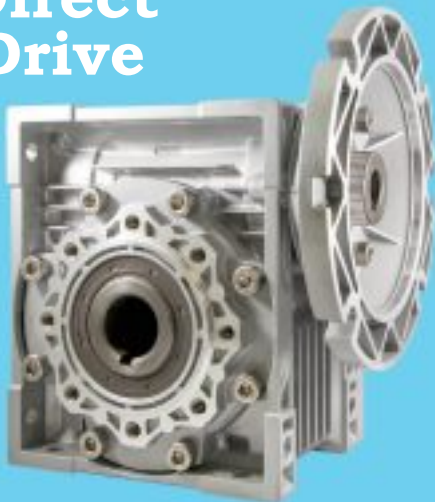
Includes: BH-PWC 1500, 3/4 HP Motor, Momentary Switch, 110 volt GFCI, Cover and Hardware, as well as Cable

15204

Specifications

Hoist Rated Capacity	1500 lbs
Gear Box Material	Powder Coated Steel
Hoist Dimension W/Motor	8" x 7" x 15.5" (h)
Hoist Dimension W/O Motor	8" x 7" x 9" (h)
Cover Dimensions	13" x 10.5" x 18" (h)
Mount Pattern	Standard 3 Bolt
Gear Ratio	48 to 1
Pulley/Drive Belt	7" Metal/ax25
Standard Motor	3/4 HP
GFCI Type	110V
Warranty	1 Year Motor - Manufacturer Defect

PWC Direct Drive



1,500 LB. A-Drive PWC Single Worm Reducer

Features 1.125" shaft size output, C-Face motor style, and permanent sealed gearbox. Measures 8.6" L x 6.5" W x 7" H and weighs 13.7 pounds. 18 RPM output. Made by BH-USA. Mounting hardware not included.

BH09048

Specifications

Worm Reducer Size	Single
Gear Box Material	Aluminum
Gear Ratio	1:100
RPM	18
Drive Pipe Output Shaft	2 3/8 in. (2 in. ID)
Motor Output Shaft	1.125 in.
Lubrication	Specially-blended
Bearings	Bronze
Motor Mounting Input	C-face
Motor Type	56F
Hoist Speed	40% (Faster than belt-driven)
Lifting Capacity	1,500 lb. (Straight-line)
Dimensions	8 9/16 in. L x 6 1/2 in. W x 7 in. H



Dutton-Lainson Plated Brake Winches

Ideal for **PWC lifts** and **davits**. Brake winches are **self-locking** which provide safety so the winch will not "free spool". The automatic friction brake supplies constant positive holding action and prevents a runaway load. Brake is **fully automatic** and the load remains in position.

Used on Demco and Dock Shuttle Dock Side Lifts.



RATED CAPACITY: 800 LB
MIN. LOAD REQ: 50 LB
DRUM HUB DIA: 1-7/8"
GEAR RATIO: 4/4:1 **HANDLE LENGTH:** 7"
MECH. ADVANT: 29.9
MAXIMUM DRUM CAPACITY: 3/16" CABLE X 68' OR 2" STRAP

DL14914 DLB800A Plated Brake Winch



RATED CAPACITY: 1200 LB
MIN. LOAD REQ: 50 LB
DRUM HUB DIA: 2-1/2"
GEAR RATIO: 5/4:1 **HANDLE LENGTH:** 7"
MECH. ADVANT: 27.8
MAXIMUM DRUM CAPACITY: 7/32" CABLE X 69' OR 31" STRAP

DL14934 DLB1200A Plated Brake Winch



RATED CAPACITY: 1500 LB
MIN. LOAD REQ: 75 LB
DRUM HUB DIA: 2-1/2"
GEAR RATIO: 5/4:1 **HANDLE LENGTH:** 9-3/8"
MECH. ADVANT: 36.8
MAXIMUM DRUM CAPACITY: 1/4" CABLE X 60' OR 31" STRAP

DL14964 DLB1500A Plated Brake Winch



RATED CAPACITY: 2500 LB
MIN. LOAD REQ: 175 LB
DRUM HUB DIA: 2-1/2"
GEAR RATIO: 17/3:1 **HANDLE LENGTH:** 9-3/8"
MECH. ADVANT: 115.3
MAXIMUM DRUM CAPACITY: 5/16" CABLE X 34' OR 21" STRAP

DL15721 DLB2500A Plated Brake Winch



RATED CAPACITY: 3500 LB
MIN. LOAD REQ: 500 LB
DRUM HUB DIA: 3-1/8"
GEAR RATIO: 18.7:1 **HANDLE LENGTH:** 12"
MECH. ADVANT: 134
DRUM CAPACITY: 1/4" X 66' CABLE
DRUM CAPACITY: 7/32" X 92' CABLE
DRUM CAPACITY: 5/16" X 44' CABLE

DL24844 B3503 Plated Brake Winch



Don't forget the grease



Boat Lift Hoist Grease
The grease can withstand temperatures of over 800 degrees Fahrenheit and won't pound out of the gears. Completely waterproof, even in saltwater environments. The grease stays on the gears and doesn't transfer to your boat.

12280
95814 Case of 10

Grease Guns

Grease Guns are designed to apply BH-USA Boat Lift Grease into all the grease points of your boat lift and boat lift hoist. Two size options available.



Lubrimatic 30-416 Professional Pistol Grease Gun

Professional Pistol Grease Gun features variable stroke for use in tight places with 3 way loading. Fits 14 ounce cartridge bulk or suction. Includes air bleeder valve and bulk loader fitting. Develops up to 7,000 PSI and delivers 1 ounce per 40 strokes. Includes 18 inch flex hose and vinyl handle grip. Delivers 1 oz per 40 strokes

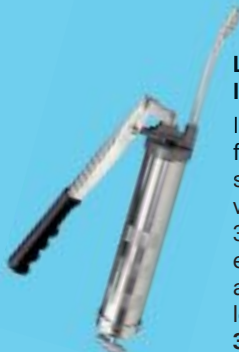
30-416



Lubrimatic 30-475 Lever Action Grease Gun

Lever Action Grease Gun has a short stroke feature that pumps grease with limited action to reach in tight spaces. 3-way loading; 14 oz. cartridge, bulk, or suction. Equipped with bulk loader and air bleeder fittings, 5 3/8" pipe, coupler, and non-slip vinyl grip. Develops up to 10,000 PSI. Easy to use. Perfect for greasing older model hoists with the grease fitting that is behind the worm gear. Delivers 1.8 oz. per 40 strokes.

30-475



Lubrimatic 30-465 Industrial Grease Gun

Industrial Grease Gun has a short stroke feature that pumps grease into confined spaces. Zinc-plated for use in tough environments. Develops up to 10,000 PSI. 5 3/8" long grease pipe and coupler included. Uses standard 14 oz. grease cartridge and can be suction or bulk loaded. Bulk loader fitting for 3 way loading.

30-465

Snug & Fit

A. Yellow Weighted Boat Lift Sling 4" Polyester Slings Rated at 8,000 lbs

- 12921 Yellow, 10 ft.
- 12938 Yellow, 12 ft.
- 12945 Yellow, 14 ft.
- 12238 Yellow, 16 ft.
- 12239 Yellow, 18 ft.
- 36410 Yellow, 20 ft.
- 79691 Black, 10 ft.
- 79692 Black, 12 ft.
- 79693 Black, 14 ft.
- 79694 Black, 16 ft.
- 79695 Black, 18 ft.
- 79696 Black, 20 ft.

B. Yellow Weighted Boat Lift Sling 6" Polyester Slings Rated at 12,000 lbs

- 12952 Yellow, 12 ft.
- 12969 Yellow, 14 ft.
- 12976 Yellow, 16 ft.
- 33859 Yellow, 18 ft.
- 79697 Yellow, 20 ft.
- 79698 Black, 12 ft.
- 79699 Black, 14 ft.
- 84200 Black, 16 ft.
- 84201 Black, 18 ft.
- 84202 Black, 20 ft.

C. Yellow Weighted Boat Lift Sling 8" Polyester Slings Rated at 12,000 lbs

- 84203 Yellow, 14 ft.
- 84204 Yellow, 16 ft.
- 84205 Yellow, 18 ft.
- 84206 Yellow, 20 ft.
- 84207 Black, 14 ft.
- 84208 Black, 16 ft.
- 84209 Black, 18 ft.
- 84210 Black, 20 ft.

Type of Boat	10'	12'	14'	16'	18'
V Hull Ski Boat Less than 6' Wide		X	X		
V Hull Ski Boat Less than 6' - 8.5' Wide			X		
Pontoon Boat (Double or Triple)				X	X
Flat Bottom Fish Boat	X	X			
Bass Boat		X	X		
Bay Boat Center Console			X		
Deep V Center Console			X	X	
PWC	X				

This chart is merely a recommendation. You should always measure before purchasing slings. Slings are NOT returnable once they have been dipped in water.



Pear Ring Size 4" - 5/8", 6" - 3/4", 8" - 7/8"



ALL POLYESTER SLINGS ARE SOLD INDIVIDUALLY-NOT AS A PAIR. Slings are measured by webbing and this measurement does not include the pear rings. Rating is a vertical basket and does not include any safety factors.

Lead Cable Weights

Cable Weights are lead weights that can slide onto the boat lift cable or mount to it, adds tension to the boat lift cable.

A. 6 lb. Solid Lead Weight

The 6 lb. Solid Lead Cable Weight measures 3" in diameter with a hole drilled through the entire weight. Cable weights accept steel cable up to 5/16" thick.
12327 Single

B. 10 lb. Split Lead Weight

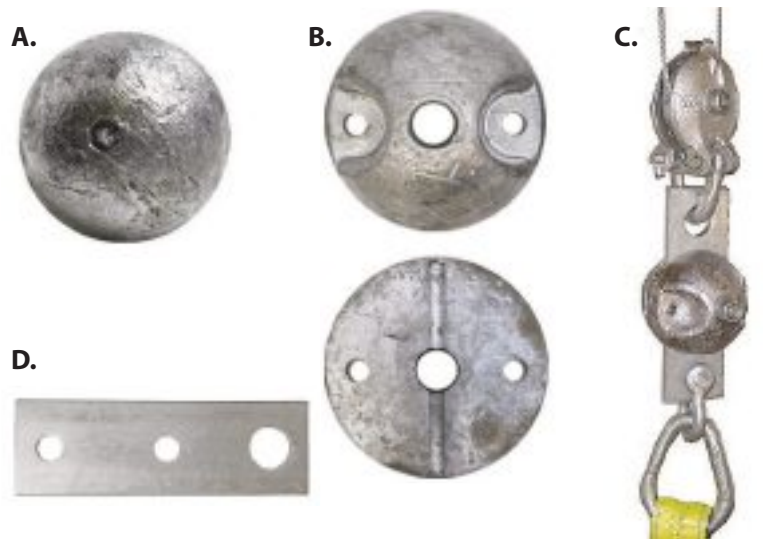
Rounded 2 piece cable weight separates in the middle and is adjustable to whatever height you want on the cable. It has the ability to tighten into a fixed position on the cable.
12310 Single

C. Weighted Compounding Bracket

Hot Dipped Galvanized, Includes 10 lb Weight, Allows for Proper Sling Placement
70034

D. Flat Compounding Bracket

Hot Dipped Galvanized
BH09035.



See more **Cable Components** on **Pg. 35**

Signature Series PWC & V-Hull

Mesh Channels
Allow water flow for **easier lifting.**

LOCAL PICKUP ONLY

Douglas & Susan Colvin
Galveston, TX

A.



- ▶ **All Aluminum Construction**
- ▶ **Engineered & Made in the USA**
- ▶ **Adjustable Cable Attachments will fit existing lifts***
- ▶ **Includes Guidepost Bumpers**

A. Signature PWC Cradle

The Signature Series PWC Cradle features a solid aluminum diamond plate deck for added traction. 6061-T6 marine grade aluminum construction. The single or dual platform features aluminum bunks with black rubber tops. Expanded metal is used between the bunks so water can drain under the PWC. Padded cable covers keep cables from scratching your watercraft. The innovative adjustable cable attachment system will allow this platform to be added to existing lifts. The dual platform has one set of 10" high bunks with the other 8" high allowing for one watercraft to float before the other. Pickup only at the Longview, TX, facility.

73210 Single (12 ft long x 6 ft wide) 1200 lb.

73209 Dual (12 ft long x 9 ft wide) 2400 lb.

B.



B. Signature Series All Aluminum V-Hull Cradle

The all Aluminum V-Hull boat cradle is engineered and built with solid marine grade structural aluminum. Designed to fit your boat with adjustable bunks to make a custom fit. The deep V design allows for clearance of fins while the quad bunk system cradles your boat like its trailer. Includes guidepost bumpers and cable bumpers making the perfect fit. Bunks are wood with pre-installed extruded heavy plastic tops that cover the wood.

17539 v-hull cradle or boats up to 4500 lbs.

93031 v-hull cradle or boats up to 6500 lbs.

All signature series cradles are made to order at the Longview TX facility and could take 3 to 6 weeks before ready for pick up. Signature Series cradles cannot be shipped and is the responsibility of the purchaser to pick up. *Signature Series Aluminum Cradles features a unique cable attachment system that is completely adjustable allowing you to match the cradle to an existing lifts cable.

No Weld
Now comes with
Guidepost
Bumpers

Jonathan Zende Del

Aluminum Cradles are boat lift cradles made out of marine grade aluminum. Fully adjustable cradles that come with guideposts and guidepost bumpers.

A. Aluminum V-Hull Outboard Boat Cradle

70184 8K Capacity with Angle to Mount Wood Bunks

70187 13K Capacity with Angle to Mount Wood Bunks

70189 20K Capacity with Angle to Mount Wood Bunks

With Aluminum Bunks

70328 8K Capacity with 12 ft x 8" Tall Aluminum Bunks

70331 13K Capacity with 14 ft x 8" Tall Aluminum Bunks

70333 20K Capacity with 16 ft x 8" Tall Aluminum Bunks

B. Aluminum V-Hull Boat Cradle Inboard

70341 8K Capacity with Angle to Mount Wood Bunks

70343 13K Capacity with Angle to Mount Wood Bunks

70345 20K Capacity with Angle to Mount Wood Bunks

With Aluminum Bunks

70347 8K Capacity with 12 ft x 10" Tall Aluminum Bunks

70349 13K Capacity with 14 ft x 10" Tall Aluminum Bunks

70351 20K Capacity with 16 ft x 10" Tall Aluminum Bunks

C. Aluminum Pontoon Boat Cradle

70353 8K Capacity with Angle to Mount Wood Bunks

70355 13K Capacity with Angle to Mount Wood Bunks

70357 20K Capacity with Angle to Mount Wood Bunks

With Aluminum Bunks

70359 8K Capacity with 12 ft x 8" Tall Aluminum Bunks

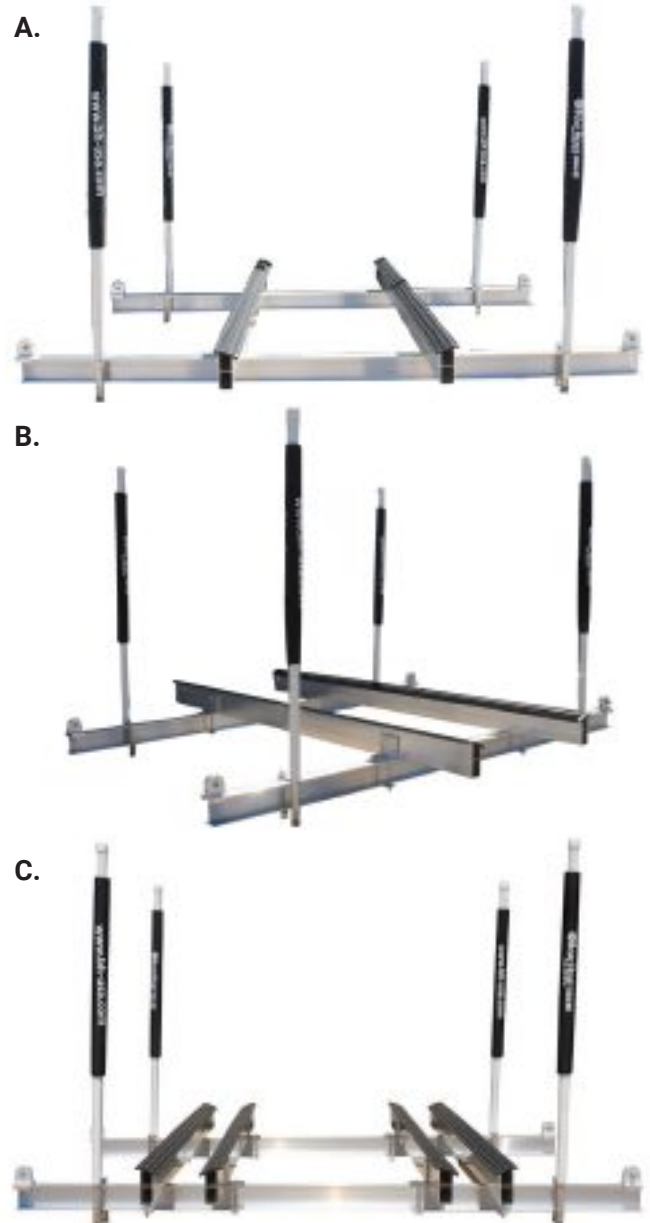
70361 13K Capacity with 14 ft x 8" Tall Aluminum Bunks

70363 20K Capacity with 16 ft x 8" Tall Aluminum Bunks

CAPACITY	8,000 LB	13,000 LB	20,000 LB
I-Beam Section	6 x 4 @ #4.70	8 x 5 @ #7.023	10 x 6 @ #8.64
I-Beam Length	12' 6"	12' 6"	16'
Bunk Length	12'	14'	16'
Bunk Height	8"	8"	8"

Aluminum Boat Cradles come complete with stainless steel mount hardware, guideposts with black guidepost bumpers and guidepost stanchions. Also included are beams and chocks angle for wood mount and aluminum bunks with mounting hardware for aluminum bunks.

Wood bunks are not included, adding wood bunks to an aluminum cradle can cause the cradle to float and let slack into the cable. You may need to add lead weight to the cradle to keep this from happening.





A.



B.



C.



D.



Galvanized Cradles are made out of steel that is hot dipped galvanized. The cradles use I-Beams with plates welded at the ends for the cable to attach to for lowering and lifting. Includes guidepost and guidepost bumpers.

A. Galvanized Steel V-Hull Boat Cradle

- 70162 8' wide for boats weighing up to 3,000 lbs.
- 70163 9' wide for boats weighing up to 3,000 lbs.
- 70165 8' wide for boats weighing up to 8,000 lbs.
- 70166 9' wide for boats weighing up to 8,000 lbs.
- 70182 9 1/2' wide for boats weighing up to 8,000 lbs.
- 70167 10' wide for boats weighing up to 8,000 lbs.
- 70169 9' wide for boats weighing up to 12,000 lbs.
- 70170 10' wide for boats weighing up to 12,000 lbs.
- 70251 11' wide for boats weighing up to 12,000 lbs.

B. Galvanized Steel Pontoon Boat Cradle

- 70171 8' wide for boats weighing up to 3,000 lbs.
- 70172 9' wide for boats weighing up to 3,000 lbs.
- 70174 8' wide for boats weighing up to 8,000 lbs.
- 70175 9' wide for boats weighing up to 8,000 lbs.
- 70185 9' 6" wide for boats weighing up to 8,000 lbs.
- 70176 10' wide for boats weighing up to 8,000 lbs.
- 70178 9' wide for boats weighing up to 12,000 lbs.
- 70179 10' wide for boats weighing up to 12,000 lbs.
- 70249 11' wide for boats weighing up to 12,000 lbs.

C. PWC Galvanized Steel Cradle

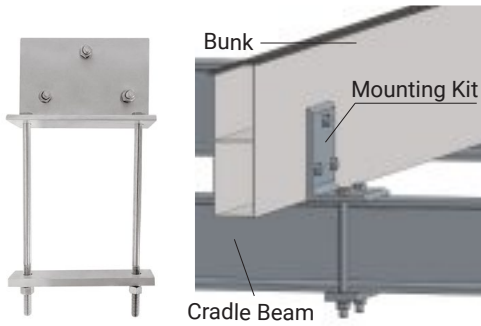
- 70181 4" x 9' long complete cradle for 2 PWC side x side
- 70180 4" x 5' long complete cradle for 1 PWC

D. Pontoon Deck Support Bracket Kit

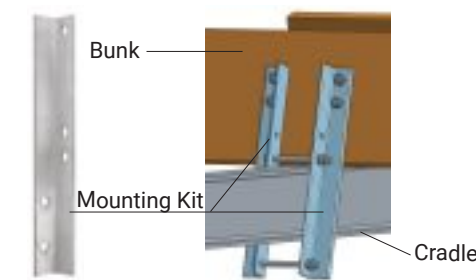
BH09068 Single Bracket Kit

CAPACITY	3,000 LB	8,000 LB	10,000 LB
I-Beam Section	4" at # 7.7	5" at # 10	6" at # 12.5
Chock Angles	8 x angle	Universal 16"	Universal 16"

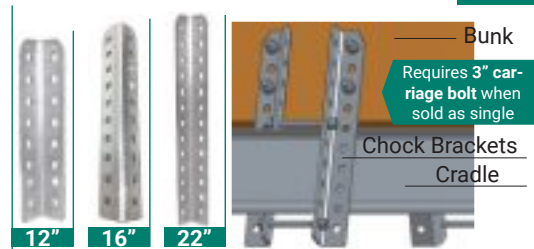
All cradles have welded end plates to attach the cable. Cradles for outboard drives come with 12" angles. Cradles for inboard drives come with 16" tall angle for mounting bunks. Galvanized boat cradles include beams and chock angle to mount two wood bunks, guideposts, and black guidepost bumpers.



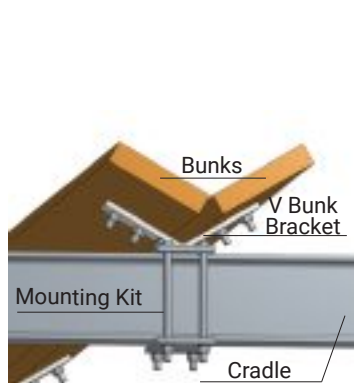
Aluminum Bunk Mounting Kit for 6 in. - 10 in. I-Beams
 The 6061-T6 US Aluminum Bunk Mounting Kit fits cradle beams from 6 in. - 10 in. aluminum boat cradle beams. **Stainless Steel hardware included.**
70364 8" Aluminum Kit for 6" I Beam
70365 8" Aluminum Kit for 8" I Beams
70366 8" Aluminum Kit for 10" I Beams



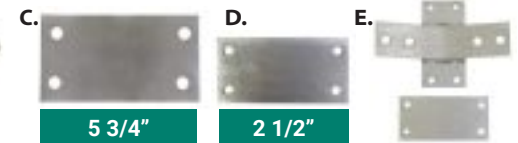
Aluminum Cradle Wood Bunk Mount Kit
 The 6061-T6 US aluminum cradle wood bunk mount kit fits any style of V-hull boat cradles. This kit allows multiple mounting angles properly fit your watercraft to wood cradles bunks. **Mounting fasteners included.**
70370 6" Aluminum I-Beam
70371 8" Aluminum I-Beam
70372 10" Aluminum I-Beam



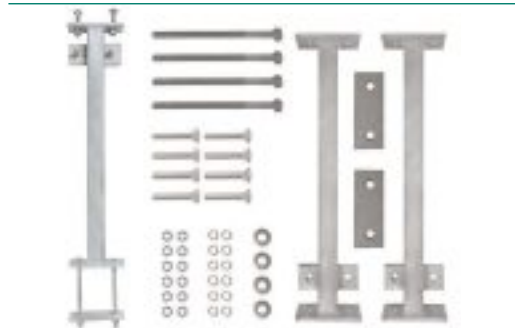
Galvanized Universal Chock Brackets
86124FB 12" Angle Bracket Only
BH02025 12" Universal Bracket Kit
 With hardware to mount two bunks on a cradle
93115 16" Angle Bracket Only
93114 16" Universal Bracket Kit
 With hardware to mount two bunks on a cradle
BH02024 22" Angle Bracket Only
BH02026 22" Universal Chock Angle Kit
 With hardware to mount two bunks on a cradle



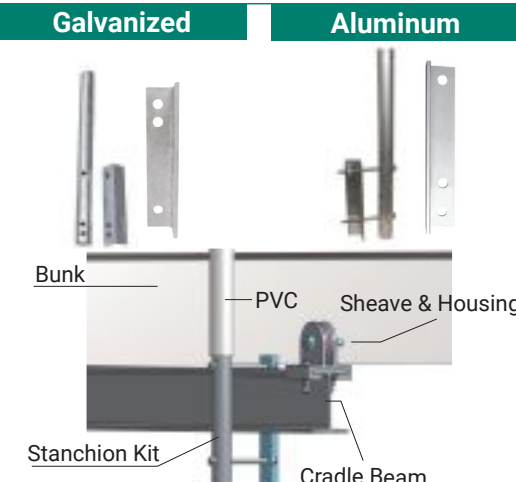
A. Aluminum Pontoon V Bunk Top Bracket
84212FB Top Bracket for 5" I-Beam Flange
BH02038 Top Bracket for 6" x 10" I-Beam Flange
B. Galvanized Pontoon V Bunk Bracket Kit for 4" - 6" Flange
17535 Single Bracket w/ Hardware
12345 Set of 4 w/ Hardware
84039FB Pontoon V Bunk Top Bracket
52108 Back up plate
C. Aluminum Pontoon V Bracket Back up Plate
84213FB 5" I-Beam Flange
D. Aluminum Pontoon V Bracket Back up Plate
BH02042 6" x 10" I-Beam Flange



E. Aluminum Pontoon V Bunk Bracket Kit for 6" x 4" I-Beam Flange
60411 Single Bunk Bracket Kit for 6" x 4"
93136 Set of 4 Bunk Bracket Kit 6" x 4"
E. Aluminum Pontoon V Bunk Bracket Kit for 8" x 5" I-Beam Flange
84892 Single Bunk Bracket Kit for 8" x 5"
93137 Set of 4 Bunk Bracket Kit 8" x 5"
E. Aluminum Pontoon V Bunk Bracket Kit for 6" x 10" I-Beam Flange
BH02041 Single Bunk Bracket Kit for 6" x 10"
BH02022 Set of 4 Bunk Bracket Kit 6" x 10"



Pontoon Deck Support Bracket
 Includes 4 deck support brackets with galvanized steel back plates. Support brackets for pontoon cradles.
BH09068 Single



Guidepost Stanchion Kits Allows 2 in. ID PVC pipe to slide over the stanchion.

70209 Galvanized, Single for 4" or 6" Beams
15213 Galvanized, Single for 6" Beams
BH09011 Galvanized, Back Plate
70389 Aluminum, Single for 6" Beam
70390 Aluminum, Single for 8" Beam
70391 Aluminum, Single for 10" Beam

The guidepost stanchion kits come complete with all hardware needed.



Guidepost Bumpers

Made from a tough 200 Denier nylon shell with a foam insert, they protect the gel coats of boats from abrasion. Can be used on both aluminum and galvanized guidepost stanchions fitted for 2" PVC. Measures 2 3/8" dia. x 36" long. We also carry 48" Long!

96645 Red 36" Solid
96646 Royal Blue 36" Solid
96647 Black 36" Solid
36417 Black 36" 4 Pack 36" Solid
36413 Royal Blue 48" Split
36406 Black 48" Split
36416 Black 48" 4 Pack Split
 (PVC and cap sold separately)



Galvanized Cradle Beams

I Beams are hot dipped galvanized and have end plates welded to them. Beams sold individually.

- 12346 4" Tall 5' wide I Beam with end plates
- 70193 4" tall 8' wide I Beam with end plates
- 70194 4" tall 9' wide I Beam with end plates
- 70195 5" tall 8' wide I Beam with end plates
- 70196 5" tall 9' wide I Beam with end plates
- 73220 5" tall 9.5' wide I Beam with end plates
- 70197 5" tall 10' wide I Beam with end plates
- 73221 6" tall 9.5' wide I Beam with end plates
- 70199 6" tall 9' wide I Beam with end plates
- 70200 6" tall 10' wide I Beam with end plates
- 73222 6" tall 11' wide I Beam with end plates
- 73223 6" tall 12' wide I Beam with end plates
- 25334 6" tall 13' wide I Beam with end plates

Structural I-Beams

- 73224 14" x 6" Galvanized Steel Structural I-Beam
- 15229 6" Aluminum structural beam, 6" (web) x 4" (flange) x 12' (Beam)
- 36465 6" Aluminum structural beam, 6" (web) x 4" (flange) x 25' (Beam)
- 25318 8" Aluminum structural beam, 8" (web) x 5" (flange) x 12' (Beam)
- BH04789 8" Aluminum structural beam, 8" (web) x 5" (flange) x 25' (Beam)
- 15228 10" Aluminum structural beam, 10" (web) x 6" (flange) x 16' (Beam)
- BH04790 10" Aluminum structural beam, 10" (web) x 6" (flange) x 25' (Beam)
- 25 ft. beams are available for local pickup only



Aluminum Cradle Beam w/ Sheave Housings Flange 4" - 2 3/4", 5" - 3", 6" - 3 3/4"

- 70373 6" (web) x 4" (flange) x 12' 6" (l)
- 70375 8" (web) x 5" (flange) x 12' 6" (l)
- 70376 10" (web) 6" (flange) x 14' (l)



25' x 6" Aluminum Channel

- BH04788 6" x 2 1/2" x .17/.29 x 25'



10 lb. Aluminum Cradle Weight Kit

This kit will keep cradles from floating
25314



Prefabricated Aluminum Cradle Bunk

Prefabbed aluminum bunk with rubber pad top attached with aluminum rivets. Bunk features an inside support angled 19 degrees to fit the boat's natural shape.

- 70385 10' x 8" Pre-Fabbed Bunks
- 70386 10' x 10" Pre-Fabbed Bunks
- 70334 12' x 8" Pre-Fabbed Bunks
- 70335 12' x 10" Pre-Fabbed Bunks
- 70336 14' x 8" Pre-Fabbed Bunks
- 70337 14' x 10" Pre-Fabbed Bunks
- 70338 16' x 8" Pre-Fabbed Bunks
- 70339 16' x 10" Pre-Fabbed Bunks
- 71340 8' x 8" Pre-Fabbed Bunks
- 71341 8' x 10" Pre-Fabbed Bunks
- 61447 24' x 8" Pre-Fabbed Bunks



Aluminum Bunk Attachment Fastener Kit

Features (12) hex head bolts, lock washers, and nuts. Features all stainless steel fasteners.
15234





Boat Lift Top Beams

- 17504 6K-8K 12' 6" Aluminum 4 Post Flat Plate Top Beam
- 36487 9K-10K 12' 6" Aluminum 4 Post Flat Plate Top Beam
- 36488 12K-20K 12' 6" Aluminum 4 Post Flat Plate Top Beam
- 17510 16K-24K 15' Aluminum 6 Post Flat Plate Top Beam
- 17511 16K-24K 15' Aluminum 6 Post A-Drive Top Beam



Aluminum Lift Flat Plate Bracket

Used to mount a Flat Plate Boat Hoist to the top beams of a pile mount type lift.

36444



Aluminum Top Beam End Cap

- 21215 For up to 6" Channel
- 21216 For up to 7" Channel



Aluminum Pile Mount Limit Switch Bracket

Fits the aluminum 4 and 6 post top beams. The pile mount lift bracket has the hole pattern to mount a GEM Remote KRLS Limit Switch. The bracket and two channels make the top beam.

36447



Aluminum Lift Compound "Dead Man" Clamp

Cable locking system grabs the cable and tightens the harder the cable is pulled. The slide lock featured inside the housing allows an installer to simply apply upward pressure to the cable and make adjustments. The side lock also stops from having to uninstall and reinstall clamps.

36446

02282 Set of 4 with clips



6,000 - 8,000



9,000 - 10,000



12,000 - 20,000

Aluminum Pile Mount Top Beam Bracket

Securely attach aluminum top beams to piling without the need to drill or weld. The all aluminum no weld design has stainless steel hardware and PVC isolators so the aluminum does not touch the wood. The pile mount bracket is available in three sizes to secure lifts using up to 7" channel top beams. The clamps and brackets are adjustable making for an extremely easy installation.

17513 for 6-8K top beams

17514 for 9-10K top beams

17515 for 12-20K top beams



Marina Pile Mount Double Boat Lift Bracket

Mounting holes fit 1/2" lag bolts. Measures 34" wide x 16" tall x 9 1/4" deep. Two brackets required to properly install two boat lifts on the same piling.

BH02145



Drive Pipe Reduction Sleeve

The Flat Plate Pipe Reduction Sleeve is used to transition a Flat Plate Hoist from a 2 3/8" output to the standard 1.5" drive shafts found on pile mount boat lifts. Inside diameter of 1 15/16".

30012



A-Drive Mount Kits

All the parts necessary to mount A-Drives to two Aluminum Top Beams. The mount kit allows you to change Flat Plate belt driven hoists to A-Drive on existing lifts and other channel style top beam lifts. The A-Drive Mount Kit includes bottom and top angles and a flange mount plate that meets safety standards. The mount kit has stainless fasteners that are included. The A-Drive Mount Kit includes two of each piece for a twin motor lift.

BH02039 5" Channel

BH02040 6" & 7" Channel



Aluminum Bearing Block w/ Bronze Flange Bushing

Made from extruded marine grade 6061-T6 aluminum with a bronze flange bushing pressed into the extruded housing. A grease channel has been drilled for easy greasing with the 1/4" grease fitting. The Lift Top Beam Bearing Housing is designed to mount between two aluminum channels for use with a 1 1/2" drive pipe. The unique extruded housing gives the pipe a true bronze grease-able bearing surface.

36448



Aluminum Lift Side Mount Bracket

Allows installation of aluminum pile mount top beams inside boat houses or in marinas where pilings are shared. Secure these aluminum brackets to the side of the pilings then secure your top beams to the brackets. Overall Dimensions 15" (H) x 4" x 11"

50064 Standard, 3,000 lb rating per bracket

84893 HD bracket, 5,000 lb rating per bracket



Hoists Parts



A. 96 Tooth Bronze Worm Gear Assembly

75618 Bronze Worm Gear Assembly

B. 96 Tooth Cast Iron Worm Gear Assembly

75617 Cast Iron Worm Gear Assembly

C. Bronze Composite Back Plate Bearing Kit

No Welds, True Bearing Surface

75619

D. Snap Rings

Holds Backplate Bearing.

36434 2-7/8 in.

36435 3-1/2 in.

E. Bronze Press-In Flange Bushing

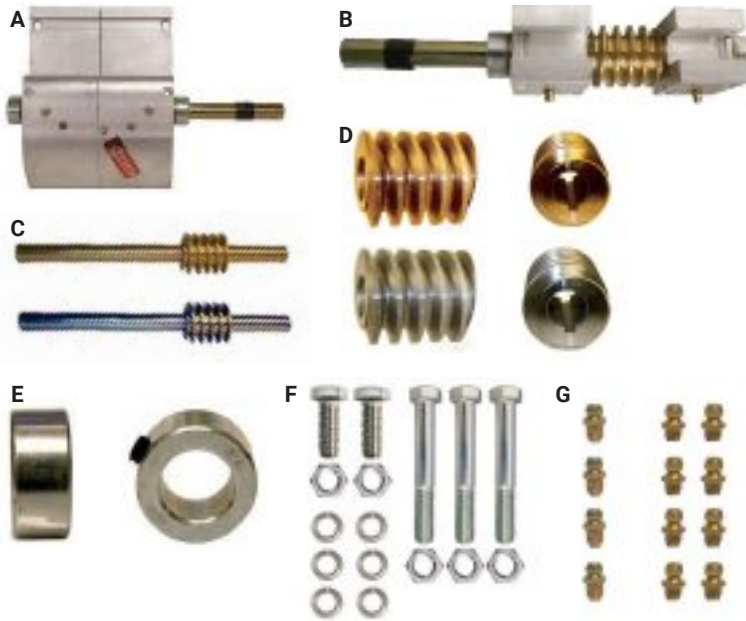
82015FA 3/4" Bore Hole

F. 1/4 in. Press-in Grease Fitting Kit

BH07297 1/4 in. Package of 6

G. 96-Tooth Worm Gear Sleeve

89102P 5 1/8 in. L x 3 in. W x 3 in. T



A. Extended Block Worm Assembly

The Assembly Includes: worm, shaft, bearings, and collars.

75615 Extended Block Worm Assembly w/ Steel Worm

75616 Extended Block Worm Assembly w/ Bronze Worm

B. Aluminum Short Block Assembly

Used on BH-USA basic hoists. Includes bronze worm, shaft, bearings, collars and block assembly fasteners.

75614

C. Bronze & Steel Worm on Drive Shaft

Replacement worm pressed on drive shaft, includes collars. Will fit any BH-USA worm block.

Does not include key for pulley.

75613 Bronze Worm on Drive Shaft

75612 Steel Worm on Drive Shaft

D. Single Thread Bronze & Steel Worm

Made from hardened bronze or polished steel. Measures 1.985" L x 1.750 diameter, .754 bore.

75610 Polished Steel

75611 Hardened Bronze

E. 3/4 in. Drive Shaft Collar

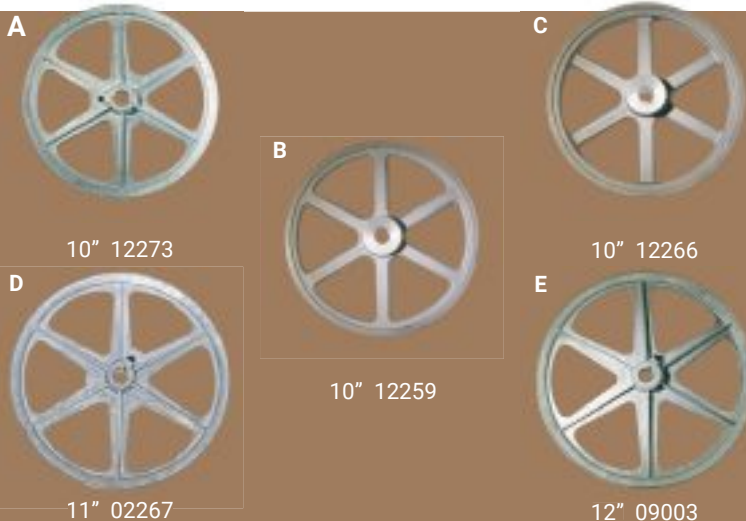
12209 3/4 in.

F. Block Assembly Fastener Pack

75620

G. 1/4 in. Grease Fitting Kit

33854



▶ See Pg 69 for 2" Pulleys

Boat Hoist Pulleys

Boat Hoist Pulleys are mounted onto the motor and the gear plate gear that move a drive belt. The motor turns the gear, that then turns the drive pipe on a boat lift to lift or lower the boat cradle or boat lift slings.

A. Zinc Die-Cast Hoist Pulley

12273 10 in.

B. Aluminum Die-Cast Hoist Pulley

12259 10 in.

C. Aluminum Die-Cast Dual Belt Hoist Pulley

12266 10 in.

D. Zinc Die-Cast Hoist Pulley

BH02267 11 in.

E. Zinc Die-Cast Hoist Pulley

BH09003 12 in.

10" Pulleys have a .750" Bore and accept up to a 1/2" thick belt.



Drive Belts

12235 AX-34 Cogged / BH-30, 35, 40, 45, 60, 65, 70,75 / 10 in. Pulleys

36436 AX-35-35 in. Cogged

17530 AX-39 Cogged

36437 AX-26 Cogged / BH-PWC Drive Belt

Above sizes are recommendations and might not be exact, please measure before purchasing. The AX-34 belt is the standard used on all BH-USA Flat Plate Hoists.



A. Solid Cable Winders

Cable winders will increase the outside diameters of the drive pipe and will reduce the rated lifting capacity of your hoist and motor.

- 12839** Solid Cable Winder for Center Mounted 2" Drive Pipe
- 12846** Solid Cable Winder for Side Mounted 2" Drive Pipe
- 12853** Solid Cable Winder for Side Mounted 1 1/2" Drive Pipe

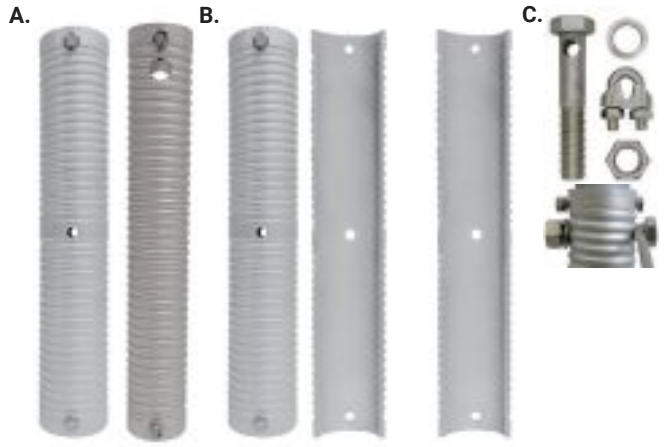
B. Split Cable Winders

The same as a regular cable winder, but split into two halves which bolt together, adding the convenience of being able to install without dismantling the lift. Bolts included.

- 12229** Split Cable Winder for Center Mounted 2" Drive Pipe
- 12230** Split Cable Winder for Side Mounted 2" Drive Pipe
- 12231** Split Cable Winder for Side Mounted 1 1/2" Drive Pipe

C. Stainless Steel Cable Attachment Kit

- 97166** 5/8" x 3 1/2" Stainless Steel Cable Attachment Kit
- 97164** 5/8" x 3 1/2" Stainless Steel Cable Attachment Bolt
- 97168** Dual Drive Pipe Cable Kit 4 Pack



CABLE WINDERS
Will hold up to 23-1/2' of 5/16" cable.

Lead Cable Weights

Cable Weights are lead weights that can slide onto the boat lift cable or mount on it, split style, adds tension to the boat lift cable. 6 pound solid or 10 pound split styles available.

A. 6 lb. Solid Lead Weight

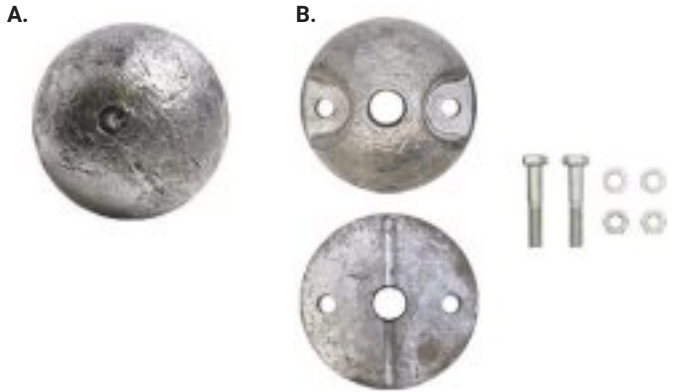
The 6 lb. Solid Lead Cable Weight measures 3" in diameter with a hole drilled through the entire weight. Cable weights accept steel cable up to 5/16" thick.

- 12327** Single

B. 10 lb. Split Lead Weight

Rounded 2 piece cable weight separates in the middle and is adjustable to whatever height you want on the cable. It has the ability to tighten into a fixed position on the cable

- 12310** Single



Sheaves

Sheaves are cable components that help guide the boat lift cable around corners or into a compounding type situation.

A. 3 in. Galvanized Sheave

70271 Weighs .5 LB. Measures 3" x 3" x 1/2" up to

B. 3 in. Zinc Plated Sheave W/ Bronze Bushing

36407 Weighs .7 LB. Measures 3" x 3" x 1/4" thick

C. 3 1/2 in. Zinc Plated Sheave W/ Bronze Bushing

36408 Weighs 1.4 LB. Measures 3 1/2" x 3 1/2" x 5/8" thick 3/4" bolt up to

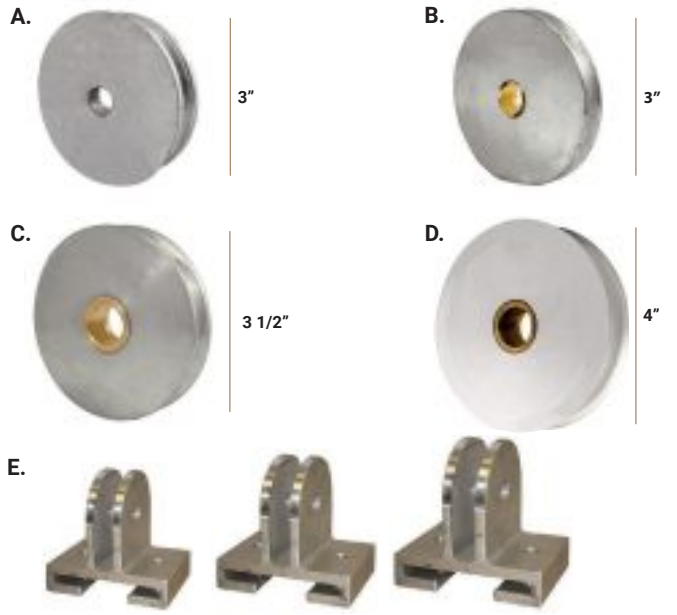
D. 4" Aluminum Sheave W/ Bronze Bushing

33899 Weighs .3 LB. Measures 4" x 4" x 5/8" thick

E. Aluminum Sheave Housing Only

(No Sheave or Bolt)

- 70313** Small - 6" Beam w/ 4" Flange
- 70314** Medium - 8" Beam w/ 5" Flange
- BH09031** Large - 10" Beam w/ 6" Flange



I. Weighted Compounding Bracket

Hot Dipped Galvanized, Includes 10 lb Weight, Allows for Proper Sling Placement

- 70034**

J. Weighted Compounding Bracket Flat Bar

(2) 5/8" & (1) 1" Hole

- BH09035**



5/8" Shackle



Hoist Hangers

A.



B.



A-Drive Hoist Hanger for Aluminum Beams

The aluminum flange mount plate will fit both A-Drive direct drives and follows industry flange mounting guidelines. Built in dual pipe support for industry standard 2" ID boat lift drive pipe. The dual pipe support allows for an optional cable winder. 1/2" mounting holes. 19" between pipe supports.

A. 93121 Wood Beam Mount

B. 70322 Aluminum Beam Mount



Flat-Plate to A-Drive Hoist Hanger Upgrade Plate

Laser cut plate mount gives a clean look, And allows you to mount an A-Drive on a wood beam. While still following industry standard flange guidelines.

95822 Powder coat 2" ID (2 3/8" OD) Mount Only

BH02253 Powder coat 1.5" ID (1 15/16" OD) 3000 & 4000 Kit

95821 Powder coat 2" ID (2 3/8" OD) 3000 & 4000 Kit

BH02254 Powder coat 1.5" ID (1 15/16" OD) 7000 Kit

95826 Powder coat 2" ID (2 3/8" OD) 7000 Kit

BH02241 Galvanized 2" ID (2 3/8" OD) Mount Only

BH02256 Galvanized 1.5" ID (1 15/16" OD) 3000 & 4000 Kit

BH02242 Galvanized 2" ID (2 3/8" OD) 3000 & 4000 Kit

BH02257 Galvanized, 1.5" ID (1 15/16" OD), 7000 Kit

BH02243 Galvanized, 2" ID (2 3/8" OD), 7000 Kit

Flat-Plate Hoist Hanger



Flat Plate Hoist Hanger for Aluminum Beams

Aluminum Beam Mount is made for a dual drive pipe support lift. Install on 4" overhead aluminum I-Beams. Accepts 2" ID / 2 3/8" OD Drive Pipe. Drill (4) holes into the flange of the hanger directly under the I-Beam, then mount the hoist. Made from 6061-T6 marine grade aluminum. Grease fitting on each pipe support. Allows for optional cable winder. Designed for center mounting and use with an aluminum pipe support.

70321 25 1/2" L x 24" W x 4" T



Flat Plate Hoist Hanger for Wood Beams

The wood beam Mount is made for a dual drive pipe support lift. Install on wood beams up to 8". (3) bolts secure hoist hanger to wood beam. Accepts industry standard 2" ID drive pipe. Made from 6061-T6 marine grade aluminum. 19" gap between pipe supports. Grease fitting on each pipe support that allows for an optional cable winder.

93153



Measurements are for I-Beam Height



Flat Plate Hoist Hanger for Steel Beams

The steel beam mount has an adjustable frame with built in drive pipe supports. Cable winders will fit in between the drive pipe supports. Requires no drilling or welding to install. Mount clamps to I-beam or channel. Designed for center mount or side mount. Must be used with accompanying steel mount pipe support. Hot dipped galvanized steel.

BH09070 4" Beam, 27.1"L X 13.6"W X 7.25"T

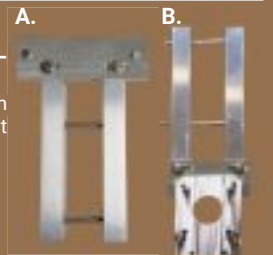
BH09071 5" Beam, 27.1"L X 13.6"W X 7.25"T

BH09072 6" Beam, 27.1"L X 13.6"W X 7.25"T

BH09073 8" Beam, 27.1"L X 13.6"W X 7.25"T

BH09074 10" Beam, 27.1"L X 13.6"W X 7.25"T

BH09075 12" Beam, 27.1"L X 13.6"W X 7.25"T



Gulf Breeze Aluminum Flat Plate Hoist Hanger - Wood Beam Mount

Designed for the Gulf Breeze series boat lifts. Made from 6061-T6 marine grade aluminum. Designed to mount a flat plate hoist onto overhead wood beams.

A. BH04793 12"L x 4"W x 1/2"

B. BH04792 9" x 7" x 1/2" A-Drive Hanger

ACE 106 Flat Plate Hoist Hanger for Steel Beams

The Original ACE 106 Mounting Bracket for Hoist allows for the mounting of a Flat-Plate Hoist to the flange of an I-Beam.

BH02180 106 Mounting Bracket

T-Mount Flat-Plate Hoist Hanger

Mounts Directly to Wood, Hot Dipped Galvanized

12" x 11 1/4"

70392 Left Mount

70393 Right Mount



Flat Plate Hoist Hanger Extension

Hot Dipped Galvanized, Allows for more Adjustment for Hoist

70394 Vertical

70395 Horizontal





Aluminum Mount Pipe Supports



Aluminum Dual Pipe Support for Aluminum Beams

There is more than 19" between each sleeve allowing room for an optional cable winder. Made out of all aluminum 6061-T6 marine grade. Mounting bolts included. Hanger (w/o L-Brackets) 24" (L) x 5 1/4" (H) x 3 1/4" (W) **70323**



Galvanized Dual Pipe Support for Steel Beams

(Measurements are for height of I-Beams.)

- BH09077** for 4" Beam
- BH09078** for 5" Beam
- BH09079** for 6" Beam
- BH09080** for 8" Beam
- BH09081** for 10" Beam
- BH09082** for 12" Beam



Dual Pillow Block Pipe Support Kit

The Dual Pillow Block Pipe Support is for any center mount boat lift. This pipe support will mount to virtually any overhead wood beam with the adjustable brackets. They have two 2-7/16" cast iron ball bearing pillow blocks that eliminate friction.

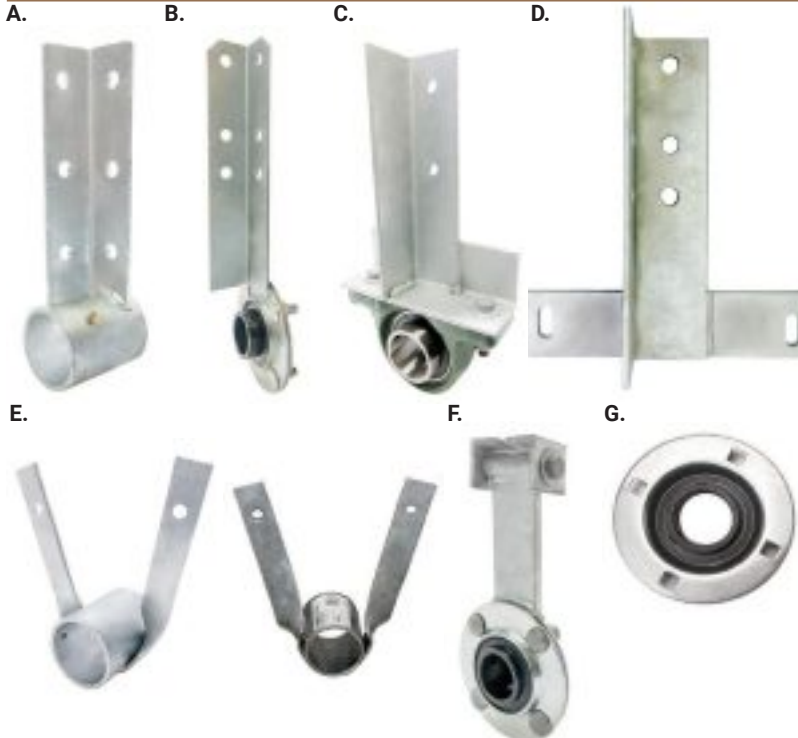
- BH09087**
- BH09085** Hanger Only



Drive Pipe Reduction Sleeve

Measures: 9" long Diameter: Inside 1 15/16" Outside 2 3/8" Also on Pg. 31

30012



A. Single Pipe Support
33853

- Galvanized Pillow Block Hanger**
- B. BH09086** Strap Bearing Kit for 1.5" Drive Pipe
- C. BH09088** Single Pillow Block Pipe Support Kit
- D. 70278** Single Pillow Block Hanger

- E. V Pipe Support**
- 33852** Single V Pipe Support 2" ID / 2 2/3"
- 33887** Heavy Duty "V" Pipe Support Galvanized 2" ID / 2 3/8"

- F. Original ACE 109 Strap Bearing Kit for 1.5" Drive Pipe**
- BH02186** Ace 109 I-Beam Sealed Bearings
- G. 1.5" Drive Pipe Sealed Bearing**
- 60404** Bearing Only

Wood Mount Pipe Supports



09009 23" X 3 7/8"



09010 23" X 22"

Gulf Breeze Aluminum Single/Dual Pipe Support

These Pipe Supports were designed to fit construction methods found around the Florida Panhandle Gulf Breeze and Mobile Bay areas. The components, when used correctly, allow for lifting a boat using structure beams that run with the slip and not across the slip.

- BH09009** Gulf Breeze Aluminum Single Pipe Support
- BH09010** Gulf Breeze Aluminum Dual Pipe Support



24" L x 5 1/4" H x 3 1/4" W

Galvanized Dual Pipe Support

Equipped with twin adjustable L Brackets and multiple bolt locations with 18" of cable wrapping surface area. Fits overhead 2" ID schedule 40 drive pipe. Preset pipe supports measured to line up with the hoist with minor adjustment needed.

- 33851** Side Pipe Support with L Brackets
- BH09083** Side Mount Dual Pipe Support L-Bracket

Galvanized Dual Pipe Support for Wood Beams

The Wood Center Mount Galvanized Dual Pipe Support is designed to mount on overhead wooden beams or joists.

- 33886** Center Mount Pipe Support
- 36458** Center Mount Dual Pipe Support L-Bracket



70055 - without bracket

24" L x 5 1/4" H x 3 1/4" W



Dual Pipe Support for Wood Beams

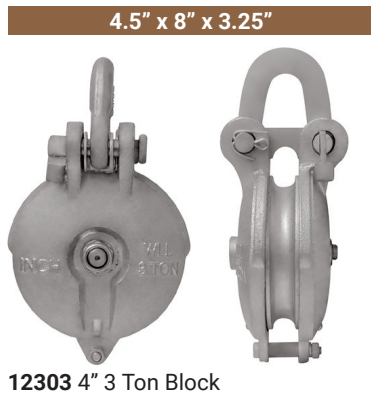
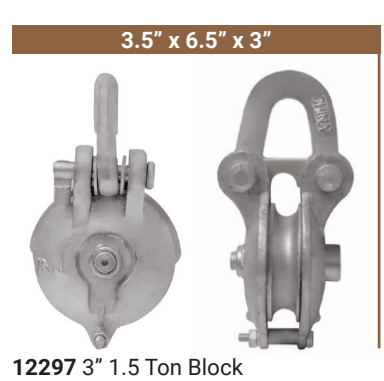
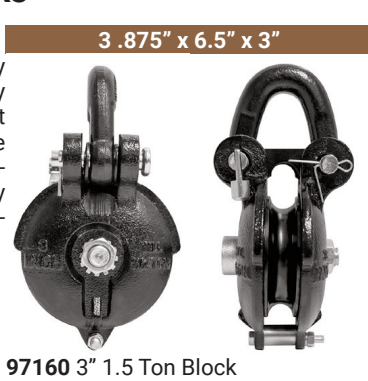
The Wood Mount Aluminum Dual Pipe Support is designed to mount to a wood joist or wood beam up to 10" thick that is running perpendicular to the boat. Features oversized pipe sleeves that help with load distribution and reduces friction build up.

93127

Rigging Blocks

Snatch Blocks are also simply the best block available for any overhead lift application that requires blocks. The blocks are hot-dipped galvanized, greaseable, ball bearings, breakaway shackle, and a raised stamp rating.

(Also Available as a Box of 10)



A. 800 LB. Swivel Hook Block
36404 Single



B. 1550 LB. Swivel Hook Block
36405 Single



C. 1550 LB. Swivel Eye Block
70032 Single



1 15/16" Pillow Block

The 2 7/16 in. Pillow Block bearing is Made from cast iron housing with a chrome steel ball-bearing insert. Features (2) 3/4 in. mounting holes. Powdercoated green finish. 1 15/16 in. bearing bore. Includes 1/4 in. press-in grease fitting mounted off-center.



2 7/16" Pillow Block

The 2 7/16 in. Pillow Block bearing is made from cast iron housing with a chrome steel ball-bearing insert. Features (2) 3/4 in. mounting holes. Powder coated green finish. 2 7/16 in. bearing bore. Includes 1/4 in. press-in grease fitting mounted off-center.



3" Galvanized Yarding Block W/ Coated Sheave

The 3" Galvanized Yarding Block w/ Coated Sheave has a 1500 pound lifting capacity. Accepts up to 5/16" thick boat lift cable. The 3" zinc-plated sheave features a coated layer between the boat lift cable and the sheave. The coating allows the boat lift cable to move smoothly through the sheave. The coating keeps the sheave from rusting. Features removable shackle for easy replacement and installation. The shackle allows the block enough movement to track with the boat lift cable. 4 1/2" from the center of the sheave to the top of the shackle. 1" shackle size opening. Each sheave weighs 2.25 pounds.

2 1/2" Fixed Eye Pulley Block

Max Cable Width: 1/4 in.
Sheave Groove Width: 7/16 in.
Working Load: 685 lbs./311 kg.
Mounting Hole: 3/8 in.
Weight (Each): .85 lbs.
Sheave Size: 7/16 in.



Working Load
2 Ton

Material
320C Carbon Steel

Working Load
3 Ton

Material
320C Carbon Steel





Aluminum Cradle Beam Flange Mount Sheave Housing Kit

Kit includes (1) Aluminum Cradle Beam Flange Mount Sheave Housing, (1) #33899 – 4" Aluminum Sheave Housing w/ Bronze Bushing, (2) #12311 – 1/2" x 2 1/2" Stainless Steel Hex Head Bolts, (1) #36443 – 3/4" x 3 1/2" Stainless Steel Axle Bolt, (1) #21220 – 3/4" Stainless Steel Nuts, (2) #33872 – 1/2" Stainless Steel Split Lock Washers, (1) #33874 – 3/4" Stainless Steel Lock Washers, (2) #21218 – 1/2" Stainless Steel Nuts



6" Beam W/ 4" Flange, Small W/ 4" Sheave
BH09095



8" Beam W/ 5" Flange, Medium W/ 4" Sheave
BH09096



10" Beam W/ 6" Flange, Large W/ 4" Sheave
BH09097

<p>1/2" 2 Ton</p> <p>33855 1/2, 2 Ton</p>	<p>7/16" 1.5 Ton</p> <p>33856 7/16, 1.5 Ton</p>	<p>3/8" 1 Ton</p> <p>33857 3/8, 1 Ton</p>	<p>5/8" 3.25 Ton</p> <p>BH09099 5/8, 3.25 Ton</p>
--	--	--	--

Anchor Shackles

Shackles are galvanized per ASTM A153 standards. With heat treated screw pins, and are designed for applications where the shackle is removed frequently. Shackles are permanently marked with a raised size and working load limit (WLL), In tons.

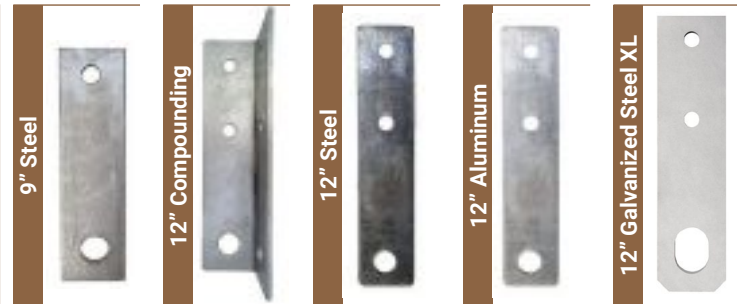


Steel Beam Pulley Block Hanger

No Welding Required

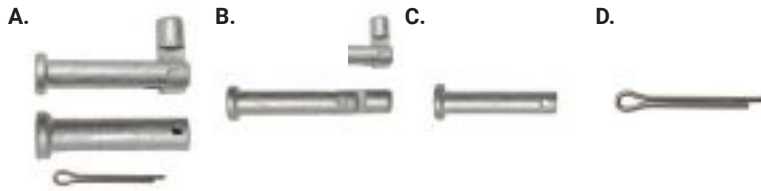
- BH09089 Clamp for 4" Beam 12" X 4.5" X 4.75"
- BH09090 Clamp for 5" Beam 12.5" X 4.5" X 4.25"
- BH09091 Clamp for 6" Beam 16" X 4.5" X 4.5"
- BH09092 Clamp for 8" Beam 16" X 4.5" X 4.5"
- BH09093 Clamp for 10" Beam 16" X 4.5" X 4.5"
- BH09094 Clamp for 12" Beam 16" x 4.5" x 4.5"

Original Ace Hanger Bracket
BH02176 110 Offset Bracket
BH02178 107 Hanger Bracket



Strap Hangers

- BH09098 9" Steel, Single
- 33896 12" Compounding, Single
- 33850 12" Steel, Single
- 93135 12" Aluminum Single
- BH04700 12" Galvanized Steel XL Single



A. Snatch Block Shackle Pin Kit

- BH09421 3 in. 1.5 Ton
- BH09422 4 in. 3 Ton

B. Quick Release Shackle Pin

- BH09417 3 in. 1.5 Ton
- BH09416 4 in. 3 Ton

C. Anchor Shackle Pin

- BH09419 3 in. 1.5 Ton
- BH09418 4 in. 3 Ton

D. Cotter Pin

- BH09420





A. Galvanized Malleable Wire Rope Clips

- 70100 3/16 in.
- 70103 1/4 in.
- 70109 5/16 in.
- 75639 3/8 in.



B. Galvanized Drop Forged Wire Rope Clips

- 75660 3/16 in.
- 75661 1/4 in.
- 75662 5/16 in.
- 75663 3/8 in.



C. Stainless Malleable Wire Rope Clips

- 70115 3/16 in.
- 70118 1/4 in.
- 70124 5/16 in.
- 75655 3/8 in.



D. Stainless Drop Forged Wire Rope Clips

- 75656 3/16 in.
- 75657 1/4 in.
- 75658 5/16 in.
- 75659 3/8 in.



H. Galvanized Malleable Clip & Thimble Packs

- 12217 3/16" Galvanized
- 12075 1/4" Galvanized
- 12218 5/16" Galvanized



I. Stainless Steel Malleable Clip & Thimble Packs

- 12219 3/16" Stainless
- 12013 1/4" Stainless
- 12220 5/16" Stainless



E. Galvanized Wire Rope Thimbles

- 70130 3/16 in.
- 70133 1/4 in.
- 70136 5/16 in.
- 75664 3/8 in.



F. Stainless Wire Rope Thimbles

- 70139 3/16 in.
- 70142 1/4 in.
- 70145 5/16 in.
- 75665 3/8 in.



G. Zinc Coated Copper Sleeves

- 75640 3/16 in.
- 75641 1/4 in.
- 75642 5/16 in.
- 75643 3/8 in.

Protect & Connect



Galvanized Aircraft Cable & Fittings

7 X 19. Extra Flexible, Durable and economical; recommended for freshwater environment. BH-USA recommends 7 x 19 aircraft cable for boat lift applications. 7 x 19 means the rope has seven strands and there are nineteen wires in each strand. Always consider at least a 5:1 safety factor when figuring working loads. Test certificates for all cable sold by BH-USA are available upon request. Aircraft Cable is not suitable for use in aircraft controls.

Galvanized Wire Rope Spools

Per Ft.	3/16"	1/4"	5/16"	3/8"
100 Ft.	84216	84221	84226	BH02348
250 Ft.	75667	75671	75675	75679
500 Ft.	15222	12212	12213	75680
1000 Ft.	75669	75673	75677	75681
5000 Ft.	75670	75674	75678	75682

Cut To Length Galvanized Steel Cable

Per Ft.	3/16"	1/4"	5/16"	3/8"
Per Ft.	70070	70071	70072	75638

Pre-Cut Galvanized Steel Cable

Per Ft.	3/16"	1/4"	5/16"	3/8"
15 Ft.	84212	84217	84222	84227
31 Ft.	84213	84218	84223	84228
40 Ft.	84214	84219	84224	84229
62 Ft.	84215	84220	84225	84230

Galvanized Steel Cable W/Swaged Loop

Per Ft.	1/4"	5/16"	3/8"
15 Ft.	84232	84235	84238
20 Ft.	84233	84236	84239
31 Ft.	84234	84237	84240
33 Ft.	95829	95832	95835
40 Ft.	95830	95833	BH02153
50 Ft.	95831	95834	95837

Stainless Steel Aircraft Cable & Fittings

7 X 19. Extra Flexible, Durable and economical; recommended for saltwater environment. BH-USA recommends 7 x 19 aircraft cable for boat lift applications. 7 x 19 means the rope has seven strands and there are nineteen wires in each strand. Always consider at least a 5:1 safety factor when figuring working loads. Test certificates for all cable sold by BH-USA are available upon request. Aircraft Cable is not suitable for use in aircraft controls.

Stainless Steel Wire Rope Spools

Per Ft.	3/16"	1/4"	5/16"	3/8"
100 Ft.	84804	84809	84813	84817
250 Ft.	84285	84289	84293	84297
500 Ft.	84286	84290	84294	84298
1000 Ft.	84287	84291	84295	84299
5000 Ft.	84288	84292	84296	84800

Cut To Length 316 Stainless Steel Cable

Per Ft.	3/16"	1/4"	5/16"	3/8"
Per Ft.	70073	70074	70075	60401

Pre-Cut 316 Stainless Steel Cable

Per Ft.	3/16"	1/4"	5/16"	3/8"
15 Ft.	84801	84806	84810	84814
31 Ft.	84802	84807	84811	84815
40 Ft.	84803	84808	84812	84816
62 Ft.	95841	95842	95843	BH02155

316 Stainless Steel Cable W/Swaged Loop

Per Ft.	1/4"	5/16"	3/8"
15 Ft.	84821	84824	84827
20 Ft.	84822	84825	84828
31 Ft.	84823	84826	84829
33 Ft.	BH02005	BH02008	BH02011
40 Ft.	BH02006	BH02009	BH02012
50 Ft.	BH02007	BH02010	BH02013

Diameter	Type	Breaking Strength	Wt (lbs) 1000 Ft.
3/16"	7 x 19	4,200	65
1/4"	7 x 19	7,000	110
5/16"	7 x 19	9,800	173
3/8"	7 x 19	14,400	243



Galvanized



Diameter	Type	Breaking Strength	Wt (lbs) 1000 Ft.
3/16"	7 x 19	3,700	65
1/4"	7 x 19	6,400	110
5/16"	7 x 19	9,000	173
3/8"	7 x 19	12,000	243



Stainless Steel



Galvanized Hex Head Bolt

5/16" Galvanized Hex Head Bolt
82049FA Dia: 5/16" Size: 1 3/4"

9/16" Galvanized Hex Head Bolt
82032FA Dia: 9/16" Size: 1 3/4" Grade: 2
82042FA Dia: 9/16" Size: 2 3/4" Grade: 5

5/8" Galvanized Hex Head Bolt
82023FA Dia: 5/8" Size: 5" Grade: 5
82024FA Dia: 5/8" Size: 5 1/2" Grade: 2
82025FA Dia: 5/8" Size: 6" Grade: 2
82026FA Dia: 5/8" Size: 7" Grade: 5
82027FA Dia: 5/8" Size: 8" Grade: 5
82028FA Dia: 5/8" Size: 10" Grade: 5
82029FA Dia: 5/8" Size: 12" Grade: 5
82041FA Dia: 5/8" Size: 14" Grade: 5

3/4" Galvanized Hex Head Bolt
82062FA Dia: 3/4" Size: 6" Grade: 2
82063FA Dia: 3/4" Size: 6 1/2" Grade: 2

1/2" Galvanized Hex Head Bolt
82059FA Dia: 1/2" Size: 1 1/2" Grade: 2
82060FA Dia: 1/2" Size: 3" Grade: 2
82053FA Dia: 1/2" Size: 4 1/2" Grade: 5
82054FA Dia: 1/2" Size: 5" Grade: 2
82055FA Dia: 1/2" Size: 6" Grade: 2
82116FA Dia: 1/2" Size: 7" Grade: 2
82037FA Dia: 1/2" Size: 8" Grade: 2
82116FA Dia: 1/2" Size: 10" Grade: 2



Stainless Steel Hex Head Bolt

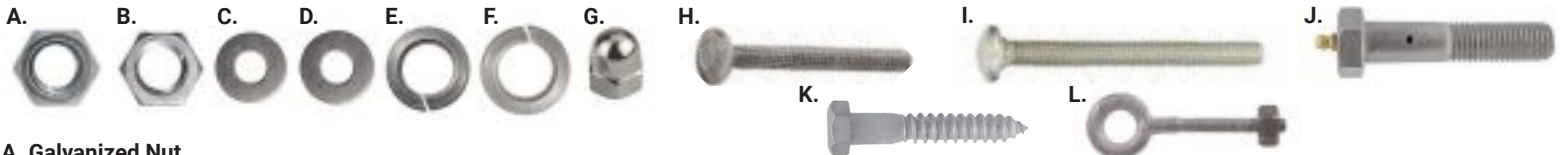
5/16" Stainless Steel Hex Head Bolt
12249 Dia: 5/16" Size: 1 1/4" Grade: 304
12300 Dia: 5/16" Size: 1 1/2" Grade: 304
12226 Dia: 5/16" Size: 2 3/4" Grade: 304
12301 Dia: 5/16" Size: 3" Grade: 304
12302 Dia: 5/16" Size: 3 1/2" Grade: 304

3/8" Stainless Steel Hex Head Bolt
12308 Dia: 3/8" Size: 1" Grade: 304
BH04781 Dia: 3/8" Size: 1 3/4" Grade: 304

1/2" Stainless Steel Hex Head Bolt
95817 Dia: 1/2" Size: 1 1/2" Grade: 304
12309 Dia: 1/2" Size: 1 3/4" Grade: 304
12311 Dia: 1/2" Size: 2 1/2" Grade: 304
12223 Dia: 1/2" Size: 5" Grade: 304
12343 Dia: 1/2" Size: 5 1/2" Grade: 304
12349 Dia: 1/2" Size: 7" Grade: 304
15225 Dia: 1/2" Size: 8" Grade: 304
15244 Dia: 1/2" Size: 10" Grade: 304
12202 Dia: 1/2" Size: 12" Grade: 304

5/8" Stainless Steel Hex Head Bolt
15249 Dia: 5/8" Size: 3" Grade: 304
36419 Dia: 5/8" Size: 8" Grade: 304

3/4" Stainless Steel Hex Head Bolt
36420 Dia: 3/4" Size: 6" Grade: 304
17518 Dia: 3/4" Size: 6 1/2" Grade: 304



A. Galvanized Nut

82050FA 5/16"
82038FA 1/2"
82033FA 9/16"
82030FA 5/8"
82064FA 3/4"

B. Stainless Steel Nut

82002FA 5/16"
82047FA 1/2"
82086FA 5/8"
82044FA 3/4"
15048FA 3/8"

C. Galvanized Steel Flat Washer

82039FA 1/2"
82043FA 9/16"
82117FA 5/8"
82065FA 3/4"

D. Stainless Steel Flat Washer

82105FA 5/16"
82090FA 1/2"
82087FA 5/8"
82121FA 3/4"
82005FA 3/8"

E. Galvanized Steel Split Lock Washer

82051FA 5/16"
82040FA 1/2"
82034FA 9/16"
82031FA 5/8"
82066FA 3/4"

F. Stainless Steel Split Lock Washer

15049FA 3/8"
82003FA 5/16"
82048FA 1/2"
82102FA 5/8"
82045FA 3/4"

G. 1/2" Stainless Steel Cap Nut

82093FA

H. 1/2" Galvanized Carriage Bolt

82036FA Size: 3" Grade: 2

I. 1/2 in. x 3 in. Stainless Steel Carriage Bolt

82089FA Size: 3" Grade: 2

J. 3/4" x 3 1/2" Stainless Steel Axle Bolt

36443

33878 Nut, Lock Washer & Bolt

K. 1/2 in. x 3 in. Galvanized Lag Screw

82061FA Size: 3" Grade: 2

L. 5/8" Galvanized Steel Eye Bolt - Nut Included

70045 5/8" X 4"
70046 5/8" X 6"
70047 5/8" X 8"
70048 5/8" X 10"
70049 5/8" X 12"



Item #	Color	Size
UDP77150	Aluminum	4 1/2"
UDP77151	Aluminum	6 1/2"
UDP77152	Aluminum	8 1/2"
UDP77153	Aluminum	10 1/2"
UDP77154	White	4 1/2"
UDP77155	White	6 1/2"
UDP77161	White	8 1/2"
UDP77162	White	10 1/2"
UDP77163	Black	4 1/2"
UDP77164	Black	6 1/2"
UDP77165	Black	8 1/2"
UDP77166	Black	10 1/2"

Ultimate Dock Cleat



Item #	Color	Size
UDP33880	Aluminum	6"
UDP33882	Aluminum	8"
UDP33879	White	6"
UDP33881	White	8"
UDP77188	Black	6"
UDP77189	Black	8"

Flip Up Dock Cleat



Item #	Color	Size
UDP77171	Aluminum	9"
UDP77172	Aluminum	11"
UDP77173	Aluminum	13"
UDP77174	Aluminum	14"
UDP77175	Black	9"
UDP77176	Black	11"
UDP77177	Black	13"
UDP77178	Black	14"

"S" Dock Cleat - Cast Aluminum & Black



Item #	Color	Size
UDP77179	Aluminum	6"
UDP77180	Aluminum	8"
UDP77181	Aluminum	10 1/2"
UDP77182	Aluminum	12 1/2"
UDP77183	Black	6"
UDP77184	Black	8"
UDP77185	Black	10 1/2"
UDP77186	Black	12 1/2"

Open Base Dock Cleat - Cast Aluminum & Black



Item #	Color	Size
UDP77187	Galvanized	4"
UDP52115	Galvanized	6"
UDP52116	Galvanized	8"
UDP52117	Galvanized	10"
UDP36467	Galvanized	12"

Cast Iron Galvanized Dock Cleat



Item #	Color	Size
UDP77167	Black	4"
UDP77168	Black	6"
UDP77169	Black	8"
UDP77170	Black	10"

HDPE Open Base Dock Cleat - Polyethylene Thermoplastic



Hardware for cleats available online

**7 Wide Step
Stationary Dock
Ladder**



Made out of aluminum and weighs 29 pounds.
UDP97569 Measures 111"
The ladder ships freight only and is not boxed.

Standard Lift Dock Ladder



The retractable ladder slides up above the water line to prevent marine growth. Mounting Hardware not included.
UDP09022 5 step
UDP09023 7 step

Stationary Dock Ladder



The galvanized dock ladders slope into water at a slight angle for easy climbing. 250 pound capacity.
TD28273 3 step
TD28274 4 step
TD28275 5 step

**Aluminum
Dock Ladder**



Marine grade aluminum construction with grooved, extruded non skid steps with no sharp edges.
UDP09020 5 step, Standard Step
UDP09021 7 step, Standard Step
UDP97570 5 step, Wide Step
UDP97572 7 step, Wide Step
Mounting Hardware not included.



**SECURE
STEP UP!**



Blue Stationary Dock Ladder



Rail Height: 18-1/2" above the dock, Distance to first step: From dock surface, 12" & 11" between steps. Steps: Are 3-3/4" deep and 14" wide.
Capacity: 400 lb. (180 kg).
TD27273 3 step
TD27274 4 step
TD27275 5 step

Flip Up Aluminum Dock Ladder



Made out of marine grade 6061-T6 USA Aluminum. Features extruded non-skid steps with no sharp edges. 11" between steps.
UDP97574 5 step
UDP97585 7 step
Mounting Hardware not included.

Wide Lift Dock Ladder



The retractable ladder slides up above the water line to prevent marine growth.
UDP97571 5 step
UDP97573 7 step
Mounting Hardware not included.

Speed Release Bracket For Tie-Down Ladders



TD27271

Dockmate Dock Ladder Quick Release Mounting Plates



97302

1981



1989



2008



2009



2017



2019



2022



STILL GROWING...



THE LEADER

IN THE BOAT LIFT & DOCK INDUSTRY

Call or email for pricing and ordering! www.BoatLifts4Less.com Ph. 318-286-9169 Email: info@boatlifts4less.com